

PARTS LIST

[DR-M10SEF, DR-M10SEK, DR-M10SE,
DR-M10SER ,DR-M10BE]

* All printed circuit boards and its assemblies are not available as service parts.

* (x_) in a description column shows the number of the used part.

Area Suffix

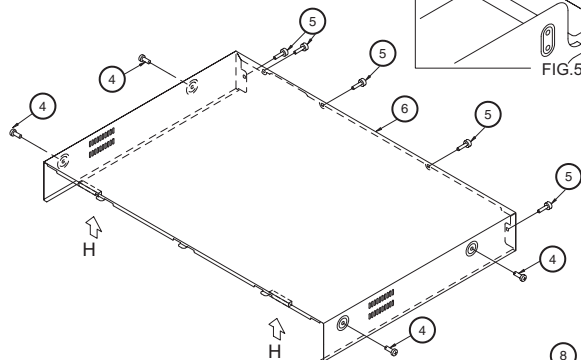
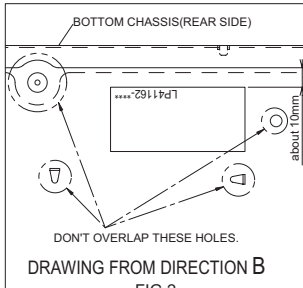
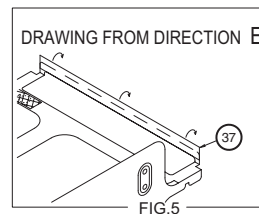
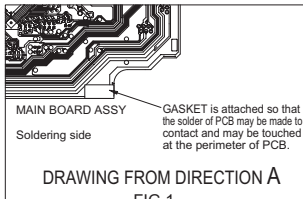
EK	-----	U.K.
EF	-----	France
ER	----	Russian Federation
E	-----	Continental Europe Northern Europe

- Contents -

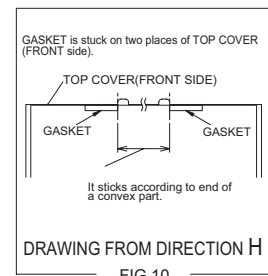
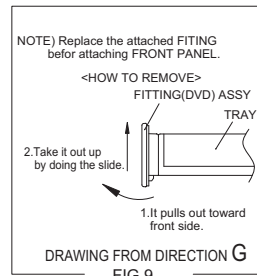
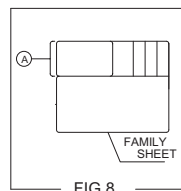
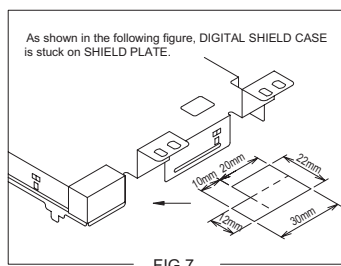
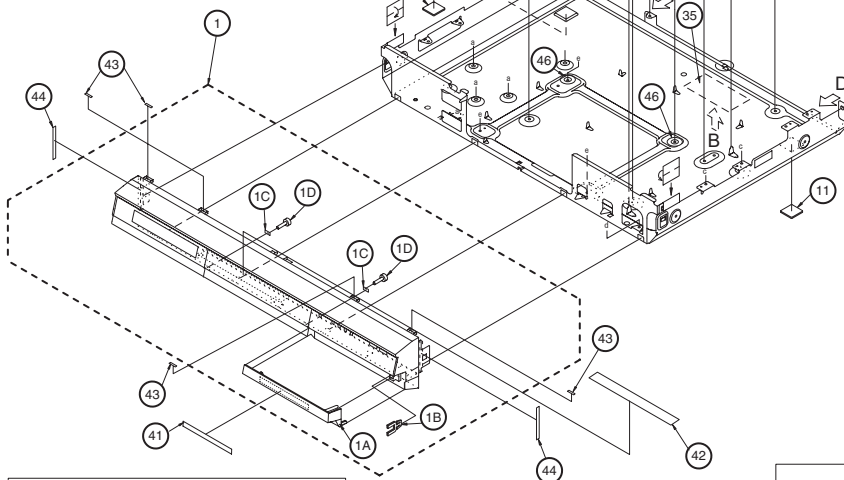
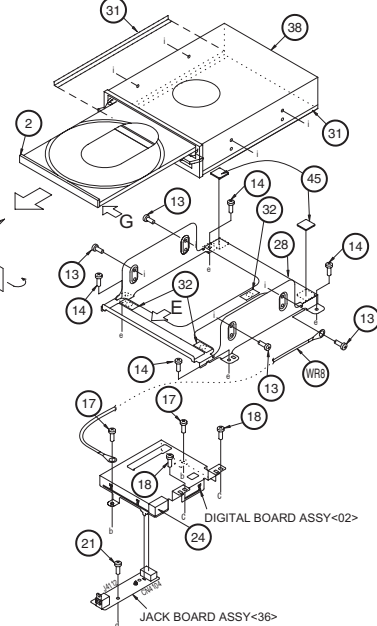
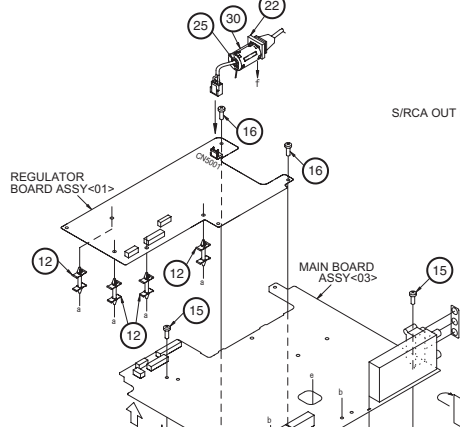
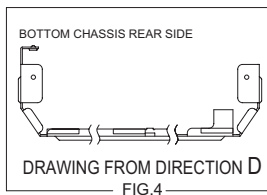
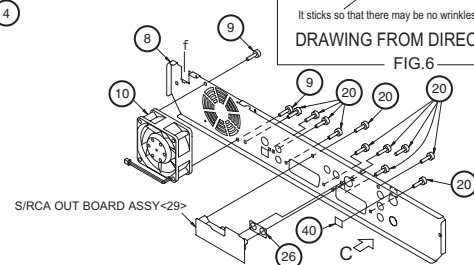
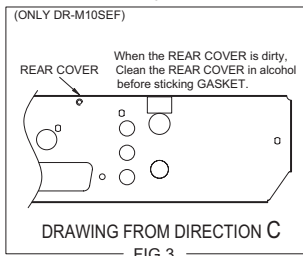
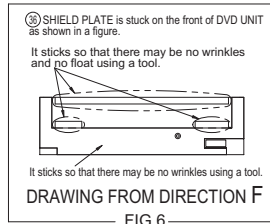
Exploded view of general assembly and parts list	-----	3-2
Electrical parts list	-----	3-5
Packing materials and accessories parts list	-----	3-17

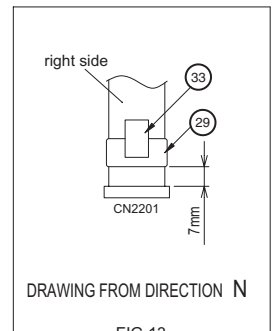
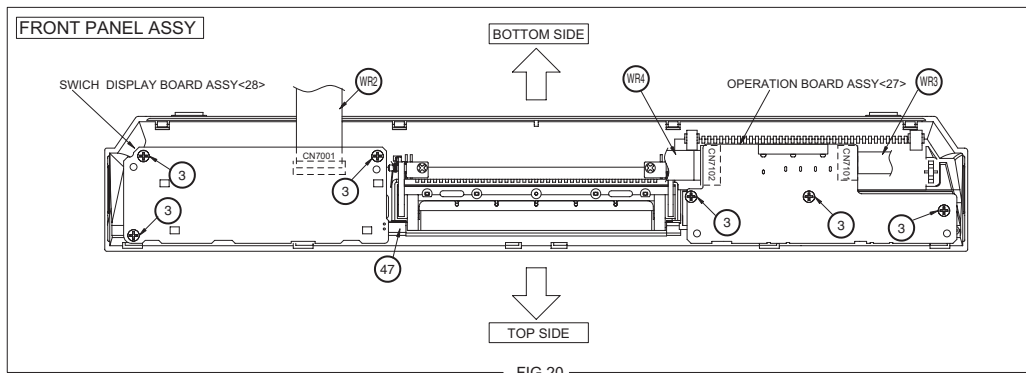
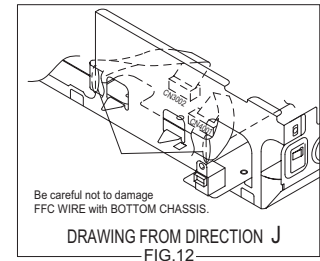
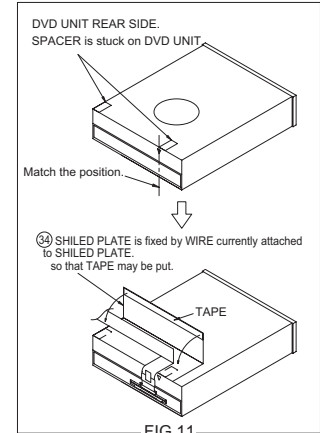
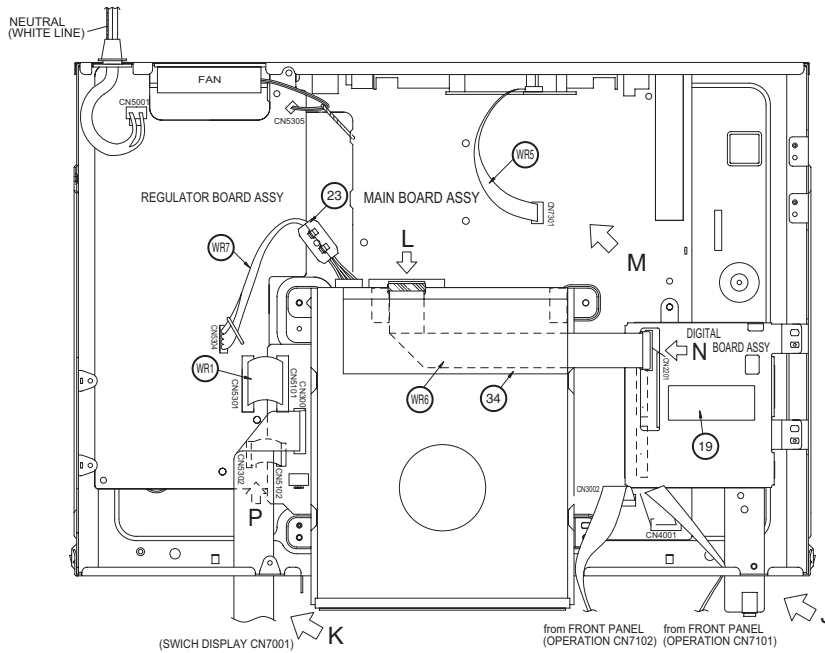
Exploded view of general assembly and parts list

Block No.M1MM

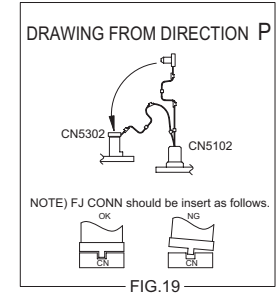
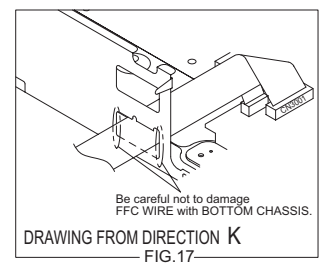
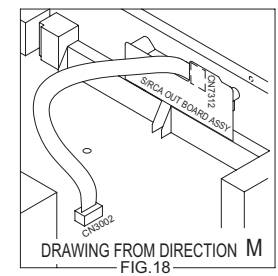
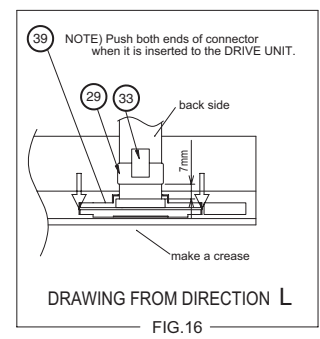
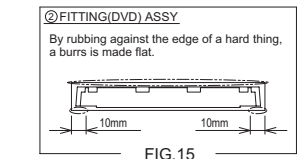
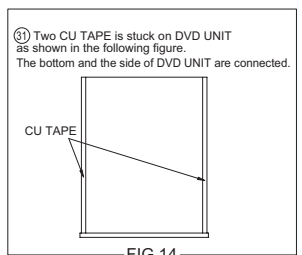


When a mechanism assembly is exchanged, please be sure to stick a shield plate.





1. Insert direction of FFC WIRE as follows.
 - right side: electrode side
 - back side: supporting side
2. FFC WIRE and DRUM FPC WIRE should be insert as follows.
 - OK: 90°
 - NG: (diagram showing incorrect 90° insertion)
3. Insert direction of POWER CORD.
 - US/UC/JPN: WHITE LINE
 - except US/UC/JPN: BLUE
4. Insert the wire to even the root of connector completely at the same time as inserting each wire.



General assembly

Block No. [M][1][M][M]

△ Symbol No.	Part No.	Part Name	Description	Local
△ 1	LP10533-015A	FRONT PANEL ASSY		M10BE
△ 1	LP10533-004A	FRONT PANEL ASSY		M10SEK
△ 1	LP10533-001A	FRONT PANEL ASSY		M10SE,M10SEF,M10SER
1A	LP21252-002A	DOOR		M10BE
1A	LP21252-001A	DOOR		M10SE,M10SEF,M10SEK,M10SER
1B	PU60109	CATCHER		
1C	LP31382-001A	STOPPER	(x2)	
1D	QYTDSF2608ZA	TAP SCREW	M2.6 x 8mm(x2)	
2	LP31372-003A	FITTING(DVD) ASSY		M10BE
2	LP31372-002A	FITTING(DVD) ASSY		M10SE,M10SEF,M10SEK,M10SER
3	QYTDSF2608ZA	TAP SCREW	M2.6 x 8mm FRONT BOARD ASSY(x6)	
4	QYSBSG3006MA	TAP SCREW	M3 x 6mm TOP SIDE(x4)	M10BE
4	QYSBSG3006NA	TAP SCREW	M3 x 6mm TOP SIDE(x4)	M10SE,M10SEF,M10SEK,M10SER
5	QYSBSG3006MA	TAP SCREW	M3 x 6mm TOP REAR(x5)	M10BE
5	QYSBSG3006NA	TAP SCREW	M3 x 6mm TOP REAR(x5)	M10SE,M10SEF,M10SEK,M10SER
△ 6	LP21256-008A	METAL COVER		M10BE
△ 6	LP21256-006A	METAL COVER		M10SE,M10SEF,M10SEK,M10SER
△ 7	LP10538-002A	BOTTOM CHASSIS		
△ 8	LP21257-011A	REAR PANEL		M10BE,M10SE,M10SEF
△ 8	LP21257-012A	REAR PANEL		M10SEK
△ 8	LP21257-013A	REAR PANEL		M10SER
9	QYTDSF3008MA	TAP SCREW	M3 x 8mm FAN(x2)	
10	QAR0326-001	FAN MOTOR		
11	LP31348-002A	FOOT	(x2)	
12	PEME0946-08	SPACER	(x4)	
13	QYTDST3006ZA	TAP SCREW	M3 x 6mm DVD UNIT(x4)	
14	LP31391-001A	SPECIAL SCREW	BRACKET(DVD)(x4)	
15	LP31391-001A	SPECIAL SCREW	MAIN(x2)	
16	LP31391-001A	SPECIAL SCREW	REGULATOR BOARD ASSY(x2)	
17	QYSPSGG3006ZA	TAP SCREW	M3 x 6mm DIGITAL BOARD ASSY(x2)	M10BE
17	LP31391-001A	SPECIAL SCREW	DIGITAL BOARD ASSY(x2)	M10SE,M10SEF,M10SEK,M10SER
18	QYSPSGG3006ZA	TAP SCREW	M3 x 6mm DIGITAL BOARD ASSY(x2)	
19	LP31023-001A	BARCODE LABEL		
20	QYSBSGY3008MA	TAP SCREW	JACK(x11)	
21	LP31391-001A	SPECIAL SCREW	JACK BOARD ASSY	
△ 22	QMP51K0-170-K	POWER CORD	1.7m BLACK	M10SEK
△ 22	QMP4A10-170	POWER CORD	1.7m BLACK	M10BE,M10SE,M10SEF,M10SER
23	QQR0917-002	CORE FILTER		
24	LP41163-001A	SHIELD PLATE		
25	PU43192-4	BINDER		
26	LP41165-002A	GASKET		
28	LP21156-003A	BRACKET(DVD DRIVE)		
29	QQR1439-003	FERRITE CORE	(x2)	
30	QQR0491-001	FERRITE CORE	TDK (GRAY)	
31	LP41168-001A	CU TAPE	(x2)	
32	LP30002-0F9A	SPACER	(x3)	
33	LP30002-0F6A	SPACER	(x3)	
34	LP31418-001A	SHIELD PLATE		
35	LP41162-001A	LABEL		
36	LP31417-001A	SHIELD PLATE		
37	LP30002-0G4A	SPACER		
△ 38	QAL0551-001	DRIVE UNIT		
39	QGZ0018A1-40	CONNECTOR	(1-40)	
40	LP41107-002A	GASKET		M10SEF
41	LP41120-001A	STICKER(FRONT)		M10SER
42	LP31153-015A	STICKER(TOP)		M10SER
43	LP30002-0G2A	SPACER	(x4)	
44	LP30002-0G3A	SPACER	(x2)	
45	LP30002-0G1A	SPACER	(x2)	
46	QYVWS42C008Z	WASHER	12mm/4.2mm x 0.8mm(x2)	
47	LP41170-001A	SPACER(BLIND)		
WR1	QUQ112-1907CJ	FFC WIRE	REGULATOR CN5301-MAIN CN5101	
WR2	QUQ112-1818CJ	FFC WIRE	SWICH DISPLAY CN7001-MAIN CN3001	
WR3	QUQ112-0912CG	FFC WIRE	OPERATION CN7101-MAIN CN3002	
WR4	QUQ112-1112CG	FFC WIRE	OPERATION CN7102-MAIN CN4001	
WR5	QUQ112-0714CG	FFC WIRE	S/RCA OUT CN7312-MAIN CN7301	
WR6	QUQ605-4022AH	FFC WIRE	DIGITAL CN2201-DVD UNIT	
WR7	QJJ032-041214	WIRE	REGULATOR CN5304-DVD UNIT	
WR8	QUB130-12DMDM	WIRE		

Electrical parts list

Regulator board

Block No. [0][1]

△ Symbol No.	Part No.	Part Name	Description	Local	△ Symbol No.	Part No.	Part Name	Description	Local
	PW1	LPA10235-03C	REGULATOR BOARD ASSY		D5204	RK34-LFB2	SB DIODE		
IC5101	STR-G6653-F9	IC			D5205	RL2Z-LFB2	FRD		
IC5301	UTCTL431-T	IC			D5206	1F4G-T2	FR DIODE		
IC5301	or MM1431AT-T	IC			D5206	or 10ERB40-T2	FR DIODE		
IC5301	or L5431-T	IC			D5206	or ERA18-02-T2	FR DIODE		
IC5301	or TL431/A-T	IC			D5206	or AU01Z-T2	FR DIODE		
IC5302	PQ5EV3	IC			D5206	or 1SR153-400-T2	FR DIODE		
IC5304	MM1565AF-X	IC	5.0V		D5207	1F4G-T2	FR DIODE		
IC5305	MM1662GH-X	IC			D5207	or 10ERB40-T2	FR DIODE		
IC5306	MM1563EF-X	IC	3.4V		D5207	or ERA18-02-T2	FR DIODE		
Q5301	DTA114EKA-X	DIGI TRANSISTOR			D5207	or AU01Z-T2	FR DIODE		
Q5301	or UN2111-X	TRANSISTOR			D5207	or 1SR153-400-T2	FR DIODE		
Q5301	or RT1P141C-X	DIGI TRANSISTOR			D5208	RK34-LFB2	SB DIODE		
Q5302	DTC114EKA-X	TRANSISTOR			D5209	RK34-LFB2	SB DIODE		
Q5302	or UN2211-X	TRANSISTOR			D5210	RK34-LFB2	SB DIODE		
Q5302	or RT1N141C-X	DIGI TRANSISTOR			D5211	1F4G-T2	FR DIODE		
Q5303	DTA114EKA-X	DIGI TRANSISTOR			D5211	or 10ERB40-T2	FR DIODE		
Q5303	or UN2111-X	TRANSISTOR			D5211	or ERA18-02-T2	FR DIODE		
Q5303	or RT1P141C-X	DIGI TRANSISTOR			D5211	or AU01Z-T2	FR DIODE		
Q5304	DTC114EKA-X	TRANSISTOR			D5211	or 1SR153-400-T2	FR DIODE		
Q5304	or UN2211-X	TRANSISTOR			D5301	MTZJ15A-T2	Z DIODE		
Q5304	or RT1N141C-X	DIGI TRANSISTOR			D5301	or RD1E5S/B1/-T2	Z DIODE		
Q5305	2SD2144S/UV/-T	TRANSISTOR			D5302	MTZJ12B-T2	Z DIODE		
Q5305	or 2SC3576-JVC-T	TRANSISTOR			D5302	or RD12E5/B2/-T2	Z DIODE		
Q5308	2SD1858/QR/-T	TRANSISTOR			D5302	or RD12E5/B2/-T2	Z DIODE		
Q5310	2SD2144S/UV/-T	TRANSISTOR			D5303	MTZJ11C-T2	Z DIODE		
Q5310	or 2SC3576-JVC-T	TRANSISTOR			D5303	or RD11E5S/B3/-T2	Z DIODE		
Q5313	2SA1585S/QR/-T	TRANSISTOR			D5304	MTZJ5.6C-T2	Z DIODE		
Q5314	DTC114EKA-X	TRANSISTOR			D5304	or RD5.6ES/B3/-T2	Z DIODE		
Q5314	or UN2211-X	TRANSISTOR			D5305	RL2Z-LFB2	FRD		
Q5314	or RT1N141C-X	DIGI TRANSISTOR			D5306	1SS133-T2	DIODE		
Q5315	2SA1585S/QR/-T	TRANSISTOR			D5306	or 1SS270A-T2	SI DIODE		
Q5316	2SA1585S/QR/-T	TRANSISTOR			D5307	MTZJ27C-T2	Z DIODE		
Q5317	DTC114EKA-X	TRANSISTOR			D5307	or RD27E5S/B3/-T2	Z DIODE		
Q5317	or UN2211-X	TRANSISTOR			D5308	RK34-LFB2	SB DIODE		
Q5317	or RT1N141C-X	DIGI TRANSISTOR			D5309	RK34-LFB2	SB DIODE		
△ D5001	D3SBA60	DIODE			D5310	RK34-LFB2	SB DIODE		
D5001	or GBJ4J	BRIDGE DIODE			D5311	1S4-T2	SB DIODE		
D5101	10ERB40-T2	FR DIODE			D5311	or AW04-T2	SB DIODE		
D5101	or AU01-T2	SI DIODE			D5311	or SBO40-T2	SB DIODE		
D5101	or ERA18-04-T2	FR DIODE			D5311	or 11EQS04-T2	SB DIODE		
D5101	or 1SR153-400-T2	FR DIODE			D5314	1SS133-T2	DIODE		
D5101	or 1F4G-T2	FR DIODE			D5314	or 1SS270A-T2	SI DIODE		
D5102	10ERB40-T2	FR DIODE			D5315	1A3G-T2	SI DIODE		
D5102	or AU01-T2	SI DIODE			D5315	or 10EDB20-T2	SI DIODE		
D5102	or ERA18-04-T2	FR DIODE			D5315	or ERA15-02-T2	SI DIODE		
D5102	or 1SR153-400-T2	FR DIODE			D5318	1A3G-T2	SI DIODE		
D5102	or 1F4G-T2	FR DIODE			D5318	or 10EDB20-T2	SI DIODE		
D5103	1F4G-T2	FR DIODE			D5318	or ERA15-02-T2	SI DIODE		
D5103	or 10ERB40-T2	FR DIODE			△ PC5101	PC123Y22FZ	PHOTO COUPLER		
D5103	or ERA18-02-T2	FR DIODE			△ C5001	QFZ9073-683	MM CAPACITOR	0.068uF AC250V M	
D5103	or AU01Z-T2	FR DIODE			△ C5002	QFZ9073-223	MM CAPACITOR	0.022uF AC250V M	
D5103	or 1SR153-400-T2	FR DIODE			C5003	QEZ0374-826	E CAPACITOR	82uF 400V M	
D5104	1SS133-T2	DIODE			△ C5004	QCZ9079-222	C CAPACITOR	2200pF AC250V M	
D5104	or 1SS270A-T2	SI DIODE			C5101	QCZ0339-101Z	C CAPACITOR	100pF 1kV K	
D5105	10ERB40-T2	FR DIODE			C5102	QCZ0349-472Z	C CAPACITOR	4700pF 1kV K	
D5105	or ERA18-02-T2	FR DIODE			C5103	QEMU1VM-276Z	E CAPACITOR	27uF 35V M	
D5105	or AU01Z-T2	FR DIODE			C5104	QCZ0136-471Z	C CAPACITOR	470pF 1kV K	
D5105	or 1SR153-400-T2	FR DIODE			C5105	QFLC1HJ-471Z	M CAPACITOR	470pF 50V J	
D5106	10ERB40-T2	FR DIODE			C5106	NCB31HK-103X	C CAPACITOR	0.01uF 50V K	
D5106	or ERA18-02-T2	FR DIODE			C5107	NCB31HK-221X	C CAPACITOR	220pF 50V K	
D5106	or AU01Z-T2	FR DIODE			C5201	QEMX0JM-227Z	E CAPACITOR	220uF 6.3V M	
D5106	or 1SR153-400-T2	FR DIODE			C5202	QEMT0JM-128	E CAPACITOR	1200uF 6.3V M	
D5106	or 1F4G-T2	FR DIODE			C5203	QEMT1AM-228	E CAPACITOR	2200uF 10V M	
D5106	or ERA18-02-T2	FR DIODE			C5204	QEMT1CM-228	E CAPACITOR	2200uF 16V M	
D5106	or AU01Z-T2	FR DIODE			C5205	QETN2AM-475Z	E CAPACITOR	4.7uF 100V M	
D5106	or 1SR153-400-T2	FR DIODE			C5206	QEMU1HM-186Z	E CAPACITOR	18uF 50V M	
D5106	or 1F4G-T2	FR DIODE			C5207	QEMT1AM-228	E CAPACITOR	2200uF 10V M	
D5201	10ERB40-T2	FR DIODE			C5208	QEMT1AM-228	E CAPACITOR	2200uF 10V M	
D5201	or ERA18-02-T2	FR DIODE			C5209	QEMT1CM-687	E CAPACITOR	680uF 16V M	
D5202	RK34-LFB2	SB DIODE			C5301	QFVF1HJ-154Z	MF CAPACITOR	0.15uF 50V J	
D5203	RK34-LFB2	SB DIODE			C5302	QFLC1HJ-333Z	M CAPACITOR	0.033uF 50V J	
					C5303	NCF31AZ-105X	C CAPACITOR	1uF 10V Z	

Symbol No.	Part No.	Part Name	Description	Local
C5304	QETN1AM-107Z	E CAPACITOR	100uF 10V M	
C5305	QETN1AM-107Z	E CAPACITOR	100uF 10V M	
C5306	QETN1CM-107Z	E CAPACITOR	100uF 16V M	
C5307	QETN1AM-107Z	E CAPACITOR	100uF 10V M	
C5308	QETN1CM-107Z	E CAPACITOR	100uF 16V M	
C5309	QETN1CM-107Z	E CAPACITOR	100uF 16V M	
C5310	QETN1HM-226Z	E CAPACITOR	22uF 50V M	
C5311	QETN1HM-226Z	E CAPACITOR	22uF 50V M	
C5312	QCBB1HK-103Y	C CAPACITOR	0.01uF 50V K	
C5316	QETN1AM-107Z	E CAPACITOR	100uF 10V M	
C5317	QETN1AM-107Z	E CAPACITOR	100uF 10V M	
C5318	NCB31HK-471X	C CAPACITOR	470pF 50V K	
C5319	NCF31AZ-105X	C CAPACITOR	1uF 10V Z	
C5320	NCB31HK-471X	C CAPACITOR	470pF 50V K	
C5321	QETN1HM-226Z	E CAPACITOR	22uF 50V M	
C5322	QETN1CM-107Z	E CAPACITOR	100uF 16V M	
C5323	QETN1HM-225Z	E CAPACITOR	2.2uF 50V M	
C5326	NCF31AZ-105X	C CAPACITOR	1uF 10V Z	
C5327	NCB31HK-471X	C CAPACITOR	470pF 50V K	
R5101	QRG02GJ-683	OMF RESISTOR	68kΩ 2W J	
R5102	NRSA63J-122X	MG RESISTOR	1.2kΩ 1/16W J	
R5103	QRG02GJ-683	OMF RESISTOR	68kΩ 2W J	
R5104	NRSA63J-102X	MG RESISTOR	1kΩ 1/16W J	
R5105	QRE141J-680Y	C RESISTOR	68Ω 1/4W J	
R5106	NRSA63J-392X	MG RESISTOR	3.9kΩ 1/16W J	
R5107	NRSA63J-681X	MG RESISTOR	680Ω 1/16W J	
R5108	QRT01DJ-R33X	MF RESISTOR	0.33Ω 1W J	
R5301	NRSA63J-221X	MG RESISTOR	220Ω 1/16W J	
R5302	NRSA63J-472X	MG RESISTOR	47kΩ 1/16W J	
R5303	NRSA63J-152X	MG RESISTOR	1.5kΩ 1/16W J	
R5304	NRSA63D-682X	MG RESISTOR	6.8kΩ 1/16W D	
R5305	NRSA63D-203X	MG RESISTOR	20kΩ 1/16W D	
R5306	NRSA63D-392X	MG RESISTOR	3.9kΩ 1/16W D	
R5310	QRE141J-8R2Y	C RESISTOR	8.2Ω 1/4W J	
△ R5314	QRZ9051-470X	FUSI RESISTOR	47Ω 1/4W J	
R5317	NRSA63J-222X	MG RESISTOR	2.2kΩ 1/16W J	
R5318	NRSA63J-102X	MG RESISTOR	1kΩ 1/16W J	
R5319	NRSA63D-302X	MG RESISTOR	3kΩ 1/16W D	
R5320	NRSA63D-472X	MG RESISTOR	4.7kΩ 1/16W D	
R5321	NRSA63J-473X	MG RESISTOR	47kΩ 1/16W J	
R5323	NRSA63J-122X	MG RESISTOR	1.2kΩ 1/16W J	
R5324	NRSA63J-102X	MG RESISTOR	1kΩ 1/16W J	
R5327	QRE141J-681Y	C RESISTOR	680Ω 1/4W J	
R5328	QRE141J-821Y	C RESISTOR	820Ω 1/4W J	
R5329	NRSA63J-103X	MG RESISTOR	10kΩ 1/16W J	
R5330	NRSA63J-471X	MG RESISTOR	470Ω 1/16W J	
R5331	QRE141J-103Y	C RESISTOR	10kΩ 1/4W J	
R5332	NRSA63J-471X	MG RESISTOR	470Ω 1/16W J	
R5333	QRE123J-101X	C RESISTOR	100Ω 1/2W J	
R5334	NRSA63J-103X	MG RESISTOR	10kΩ 1/16W J	
R5335	NRSA63J-102X	MG RESISTOR	1kΩ 1/16W J	
R5336	NRSA63J-103X	MG RESISTOR	10kΩ 1/16W J	
R5337	NRSA63J-102X	MG RESISTOR	1kΩ 1/16W J	
L5201	PELN1184	CHOKE COIL		
L5202	PELN1184	CHOKE COIL		
L5203	PELN1184	CHOKE COIL		
L5204	PELN1184	CHOKE COIL		
L5205	PELN1184	CHOKE COIL		
L5206	PELN1184	CHOKE COIL		
△ T5001	QQS0263-001	SW TRANSF		
B5504	NRSA63J-0R0X	MG RESISTOR	0Ω 1/16W J	
B5507	NRSA63J-0R0X	MG RESISTOR	0Ω 1/16W J	
△ CN5001	QGA7901C3-02	CONNECTOR	W-B (1-2)	
CN5301	QGF1207C-1-19	CONNECTOR	FFC/FPC (1-19)	
CN5302	QGB1231L1-09	CONNECTOR	B-B (1-9)	
CN5303	QGA2501C1-04	CONNECTOR	W-B (1-4)	
CN5305	QGA2001C1-02	CONNECTOR	W-B (1-2)	
△ CP5301	QMFZ050-1R5X-E	FUSE	1.5A 125V	
△ F5001	QMF51E2-1R6-J1	FUSE	1.6A AC250V	
FC5001	QNG0020-001Z	FUSE CLIP		
FC5002	QNG0020-001Z	FUSE CLIP		
HS1	PEME0889-01-01	HEAT SINK		
K5102	QQR0678-001Z	FERRITE BEADS		
△ LF5002	QQR1031-001	LINE FILTER		
OT1	QYTDST3008Z	TAP SCREW	M3 x 8mm IC5101	

Symbol No.	Part No.	Part Name	Description	Local
OT2	LP31414-001A	PROTECT SHEET		
ST1	PU59391	STYLE PIN		

Digital board

Block No. [0][2]

Symbol No.	Part No.	Part Name	Description	Local
PW1	LPA10236-03C	DIGITAL BOARD ASSY		
IC1001	JCP8059	IC		
IC1002	HY57V161610DTC7	IC		
IC1002	or K4S161622H-TC80	IC		
IC1002	or MT48LC1M16A1TG8	IC		
IC1002	or HY57V161610DTC8	IC		
IC1002	or MT48LC1M16TG-7S	IC		
IC1201	MBPL65LMDRM10EU	IC		
IC1202	SN74LVC373APW-X	IC(DIGITAL)		
IC1203	SN74LVC373APW-X	IC(DIGITAL)		
IC1401	DMN8652-BO	IC(DIGITAL)		
IC1404	SN74HCT08APW-X	IC		
IC1405	SN74LV08APW-X	IC		
IC1601	HY5DU561622CT-J	IC		
IC1602	HY5DU561622CT-J	IC		
IC1701	PQ015Y201Z-X	IC		
IC1801	TSB41AB2PAP	IC		
Q1002	2SA1037AK/QR/-X	TRANSISTOR		
Q1002	or 2SA1530A/QR/-X	SI TRANSISTOR		
Q1002	or 2SB709A/QR/-X	TRANSISTOR		
Q1003	2SA1037AK/QR/-X	TRANSISTOR		
Q1003	or 2SA1530A/QR/-X	SI TRANSISTOR		
Q1003	or 2SB709A/QR/-X	TRANSISTOR		
Q1004	2SA1037AK/QR/-X	TRANSISTOR		
Q1004	or 2SA1530A/QR/-X	SI TRANSISTOR		
Q1004	or 2SB709A/QR/-X	TRANSISTOR		
Q1005	2SA1037AK/QR/-X	TRANSISTOR		
Q1005	or 2SA1530A/QR/-X	SI TRANSISTOR		
Q1005	or 2SB709A/QR/-X	TRANSISTOR		
Q1006	2SA1037AK/QR/-X	TRANSISTOR		
Q1006	or 2SA1530A/QR/-X	SI TRANSISTOR		
Q1006	or 2SB709A/QR/-X	TRANSISTOR		
Q1007	2SA1037AK/QR/-X	TRANSISTOR		
Q1007	or 2SA1530A/QR/-X	SI TRANSISTOR		
Q1007	or 2SB709A/QR/-X	TRANSISTOR		
Q1008	UMZ1N-W	PAIR TRANSISTOR		
Q1008	or BC847PN-X	PAIR TRANSISTOR		
Q1008	or BC846PN-X	PAIR TRANSISTOR		
Q1009	2SC2412K/QRS/-X	TRANSISTOR		
Q1009	or 2SC3928A/QRS/-X	TRANSISTOR		
Q1009	or 2SD601A/QRS/-X	TRANSISTOR		
Q1010	2SC2412K/QRS/-X	TRANSISTOR		
Q1010	or 2SC3928A/QRS/-X	TRANSISTOR		
Q1010	or 2SD601A/QRS/-X	TRANSISTOR		
Q1011	2SC2412K/QRS/-X	TRANSISTOR		
Q1011	or 2SC3928A/QRS/-X	TRANSISTOR		
Q1011	or 2SD601A/QRS/-X	TRANSISTOR		
D1001	1SS355-X	SI DIODE		
D1001	or MA111-X	SI DIODE		
D1002	1SS355-X	SI DIODE		
D1002	or MA111-X	SI DIODE		
D1401	1SS355-X	SI DIODE		
D1401	or MA111-X	SI DIODE		
D1402	1SS355-X	SI DIODE		
D1402	or MA111-X	SI DIODE		
D1403	1SS355-X	SI DIODE		
D1403	or MA111-X	SI DIODE		
C1001	NBE20JM-226X	TA E CAPACITOR	22uF 6.3V M	
C1002	NBE20JM-106X	TA E CAPACITOR	10uF 6.3V M	
C1003	NCB31CK-104X	C CAPACITOR	0.1uF 16V K	
C1004	NCB31CK-104X	C CAPACITOR	0.1uF 16V K	
C1005	NCB31CK-104X	C CAPACITOR	0.1uF 16V K	

△ Symbol No.	Part No.	Part Name	Description	Local	△ Symbol No.	Part No.	Part Name	Description	Local
C1811	NCB31CK-104X	C CAPACITOR	0.1uF 16V K		R1230	NRSA63J-472X	MG RESISTOR	4.7kΩ 1/16W J	
C1812	NCB31CK-104X	C CAPACITOR	0.1uF 16V K		R1231	NRSA63J-472X	MG RESISTOR	4.7kΩ 1/16W J	
C2201	NCB31CK-104X	C CAPACITOR	0.1uF 16V K		R1401	NRSA63F-1181X	MG RESISTOR	1.18kΩ 1/16W F	
C2202	NCB31CK-104X	C CAPACITOR	0.1uF 16V K		R1402	NRSA63J-0R0X	MG RESISTOR	0Ω 1/16W J	
R1001	NRSA63D-221X	MG RESISTOR	220Ω 1/16W D		R1408	NRSA63J-102X	MG RESISTOR	1kΩ 1/16W J	
R1002	NRSA63J-0R0X	MG RESISTOR	0Ω 1/16W J		R1409	NRSA63J-103X	MG RESISTOR	10kΩ 1/16W J	
R1003	NRSA63J-0R0X	MG RESISTOR	0Ω 1/16W J		R1410	NRSA63J-103X	MG RESISTOR	10kΩ 1/16W J	
R1004	NRSA63J-0R0X	MG RESISTOR	0Ω 1/16W J		R1411	NRSA63J-101X	MG RESISTOR	100Ω 1/16W J	
R1005	NRSA63J-103X	MG RESISTOR	10kΩ 1/16W J		R1412	NRSA63J-103X	MG RESISTOR	10kΩ 1/16W J	
R1006	NRSA63J-0R0X	MG RESISTOR	0Ω 1/16W J		R1413	NRSA63J-103X	MG RESISTOR	10kΩ 1/16W J	
R1007	NRSA63J-103X	MG RESISTOR	10kΩ 1/16W J		R1414	NRSA63J-102X	MG RESISTOR	1kΩ 1/16W J	
R1009	NRSA63J-103X	MG RESISTOR	10kΩ 1/16W J		R1415	NRSA63J-102X	MG RESISTOR	1kΩ 1/16W J	
R1012	NRSA63J-0R0X	MG RESISTOR	0Ω 1/16W J		R1416	NRSA63J-102X	MG RESISTOR	1kΩ 1/16W J	
R1013	NRSA02J-0R0X	MG RESISTOR	0Ω 1/10W J		R1417	NRSA63J-102X	MG RESISTOR	1kΩ 1/16W J	
R1014	NRSA02J-0R0X	MG RESISTOR	0Ω 1/10W J		R1419	NRSA63J-101X	MG RESISTOR	100Ω 1/16W J	
R1015	NRSA02J-0R0X	MG RESISTOR	0Ω 1/10W J		R1420	NRSA63J-101X	MG RESISTOR	100Ω 1/16W J	
R1017	NRSA63J-0R0X	MG RESISTOR	0Ω 1/16W J		R1427	NRSA63J-101X	MG RESISTOR	100Ω 1/16W J	
R1018	NRSA63J-0R0X	MG RESISTOR	0Ω 1/16W J		R1428	NRSA63J-101X	MG RESISTOR	100Ω 1/16W J	
R1019	NRSA63J-0R0X	MG RESISTOR	0Ω 1/16W J		R1429	NRSA63J-101X	MG RESISTOR	100Ω 1/16W J	
R1021	NRSA63D-332X	MG RESISTOR	3.3kΩ 1/16W D		R1430	NRSA63J-101X	MG RESISTOR	100Ω 1/16W J	
R1022	NRSA63D-152X	MG RESISTOR	1.5kΩ 1/16W D		R1431	NRSA63J-101X	MG RESISTOR	100Ω 1/16W J	
R1024	NRSA63D-272X	MG RESISTOR	2.7kΩ 1/16W D		R1434	NRSA63J-101X	MG RESISTOR	100Ω 1/16W J	
R1027	NRSA63J-272X	MG RESISTOR	2.7kΩ 1/16W J		R1435	NRSA63J-101X	MG RESISTOR	100Ω 1/16W J	
R1028	NRSA63J-272X	MG RESISTOR	2.7kΩ 1/16W J		R1436	NRSA63J-101X	MG RESISTOR	100Ω 1/16W J	
R1029	NRSA63J-0R0X	MG RESISTOR	0Ω 1/16W J		R1437	NRSA63J-0R0X	MG RESISTOR	0Ω 1/16W J	
R1030	NRSA63J-103X	MG RESISTOR	10kΩ 1/16W J		R1438	NRSA63J-101X	MG RESISTOR	100Ω 1/16W J	
R1031	NRSA63J-103X	MG RESISTOR	10kΩ 1/16W J		R1439	NRSA63J-101X	MG RESISTOR	100Ω 1/16W J	
R1032	NRSA63J-103X	MG RESISTOR	10kΩ 1/16W J		R1440	NRSA63J-101X	MG RESISTOR	100Ω 1/16W J	
R1033	NRSA63J-471X	MG RESISTOR	470Ω 1/16W J		R1441	NRSA63J-103X	MG RESISTOR	10kΩ 1/16W J	
R1035	NRSA63J-0R0X	MG RESISTOR	0Ω 1/16W J		R1443	NRSA63J-472X	MG RESISTOR	4.7kΩ 1/16W J	
R1036	NRSA63J-102X	MG RESISTOR	1kΩ 1/16W J		R1444	NRSA63J-472X	MG RESISTOR	4.7kΩ 1/16W J	
R1037	NRSA63D-101X	MG RESISTOR	100Ω 1/16W D		R1445	NRSA63J-101X	MG RESISTOR	100Ω 1/16W J	
R1038	NRSA63J-0R0X	MG RESISTOR	0Ω 1/16W J		R1446	NRSA63J-101X	MG RESISTOR	100Ω 1/16W J	
R1039	NRSA63J-102X	MG RESISTOR	1kΩ 1/16W J		R1447	NRSA63J-101X	MG RESISTOR	100Ω 1/16W J	
R1040	NRSA63D-101X	MG RESISTOR	100Ω 1/16W D		R1448	NRSA63J-101X	MG RESISTOR	100Ω 1/16W J	
R1041	NRSA63J-0R0X	MG RESISTOR	0Ω 1/16W J		R1449	NRSA63J-101X	MG RESISTOR	100Ω 1/16W J	
R1042	NRSA63J-102X	MG RESISTOR	1kΩ 1/16W J		R1450	NRSA63J-101X	MG RESISTOR	100Ω 1/16W J	
R1043	NRSA63D-151X	MG RESISTOR	150Ω 1/16W D		R1451	NRSA63J-101X	MG RESISTOR	100Ω 1/16W J	
R1044	NRSA63J-0R0X	MG RESISTOR	0Ω 1/16W J		R1452	NRSA63J-101X	MG RESISTOR	100Ω 1/16W J	
R1045	NRSA63J-102X	MG RESISTOR	1kΩ 1/16W J		R1453	NRSA63J-101X	MG RESISTOR	100Ω 1/16W J	
R1046	NRSA63J-332X	MG RESISTOR	3.3kΩ 1/16W J		R1458	NRSA63J-101X	MG RESISTOR	100Ω 1/16W J	
R1047	NRSA63D-201X	MG RESISTOR	200Ω 1/16W D		R1459	NRSA63J-101X	MG RESISTOR	100Ω 1/16W J	
R1048	NRSA63J-0R0X	MG RESISTOR	0Ω 1/16W J		R1460	NRSA63J-101X	MG RESISTOR	100Ω 1/16W J	
R1049	NRSA63J-102X	MG RESISTOR	1kΩ 1/16W J		R1461	NRSA63J-101X	MG RESISTOR	100Ω 1/16W J	
R1050	NRSA63J-152X	MG RESISTOR	1.5kΩ 1/16W J		R1462	NRSA63J-101X	MG RESISTOR	100Ω 1/16W J	
R1051	NRSA63D-271X	MG RESISTOR	270Ω 1/16W D		R1465	NRSA63J-101X	MG RESISTOR	100Ω 1/16W J	
R1052	NRSA63J-0R0X	MG RESISTOR	0Ω 1/16W J		R1466	NRSA63J-101X	MG RESISTOR	100Ω 1/16W J	
R1053	NRSA63J-102X	MG RESISTOR	1kΩ 1/16W J		R1467	NRSA63J-101X	MG RESISTOR	100Ω 1/16W J	
R1054	NRSA63D-332X	MG RESISTOR	3.3kΩ 1/16W D		R1468	NRSA63J-101X	MG RESISTOR	100Ω 1/16W J	
R1055	NRSA63D-181X	MG RESISTOR	180Ω 1/16W D		R1469	NRSA63J-102X	MG RESISTOR	1kΩ 1/16W J	
R1056	NRSA63J-222X	MG RESISTOR	2.2kΩ 1/16W J		R1470	NRSA63J-102X	MG RESISTOR	1kΩ 1/16W J	
R1057	NRSA63J-330X	MG RESISTOR	33Ω 1/16W J		R1471	NRSA63J-101X	MG RESISTOR	100Ω 1/16W J	
R1059	NRSA63J-471X	MG RESISTOR	470Ω 1/16W J		R1472	NRSA63J-0R0X	MG RESISTOR	0Ω 1/16W J	
R1060	NRSA63J-223X	MG RESISTOR	22kΩ 1/16W J		R1473	NRSA63J-101X	MG RESISTOR	100Ω 1/16W J	
R1061	NRSA63J-223X	MG RESISTOR	22kΩ 1/16W J		R1474	NRSA63J-101X	MG RESISTOR	100Ω 1/16W J	
R1065	NRSA63J-121X	MG RESISTOR	120Ω 1/16W J		R1475	NRSA63J-101X	MG RESISTOR	100Ω 1/16W J	
R1066	NRSA63J-101X	MG RESISTOR	100Ω 1/16W J		R1476	NRSA63J-101X	MG RESISTOR	100Ω 1/16W J	
R1067	NRSA63J-121X	MG RESISTOR	120Ω 1/16W J		R1477	NRSA63J-101X	MG RESISTOR	100Ω 1/16W J	
R1068	NRSA63D-222X	MG RESISTOR	2.2kΩ 1/16W D		R1478	NRSA63J-101X	MG RESISTOR	100Ω 1/16W J	
R1069	NRSA63D-222X	MG RESISTOR	2.2kΩ 1/16W D		R1479	NRSA63J-101X	MG RESISTOR	100Ω 1/16W J	
R1070	NRSA63D-122X	MG RESISTOR	1.2kΩ 1/16W D		R1480	NRSA63J-0R0X	MG RESISTOR	0Ω 1/16W J	
R1071	NRSA63D-152X	MG RESISTOR	1.5kΩ 1/16W D		R1481	NRSA63J-0R0X	MG RESISTOR	0Ω 1/16W J	
R1072	NRSA63J-0R0X	MG RESISTOR	0Ω 1/16W J		R1482	NRSA63J-0R0X	MG RESISTOR	0Ω 1/16W J	
R1216	NRSA63J-101X	MG RESISTOR	100Ω 1/16W J		R1491	NRSA63J-102X	MG RESISTOR	1kΩ 1/16W J	
R1217	NRSA63J-101X	MG RESISTOR	100Ω 1/16W J		R1493	NRSA63J-0R0X	MG RESISTOR	0Ω 1/16W J	
R1218	NRSA63J-101X	MG RESISTOR	100Ω 1/16W J		R1496	NRSA63J-103X	MG RESISTOR	10kΩ 1/16W J	
R1219	NRSA63J-101X	MG RESISTOR	100Ω 1/16W J		R1497	NRSA63J-103X	MG RESISTOR	10kΩ 1/16W J	
R1220	NRSA63J-101X	MG RESISTOR	100Ω 1/16W J		R1498	NRSA63J-103X	MG RESISTOR	10kΩ 1/16W J	
R1221	NRSA63J-101X	MG RESISTOR	100Ω 1/16W J		R1601	NRSA63J-100X	MG RESISTOR	10Ω 1/16W J	
R1222	NRSA63J-0R0X	MG RESISTOR	0Ω 1/16W J		R1602	NRSA63J-100X	MG RESISTOR	10Ω 1/16W J	
R1223	NRSA63J-472X	MG RESISTOR	4.7kΩ 1/16W J		R1603	NRSA63J-100X	MG RESISTOR	10Ω 1/16W J	
R1224	NRSA63J-472X	MG RESISTOR	4.7kΩ 1/16W J		R1604	NRSA63J-100X	MG RESISTOR	10Ω 1/16W J	
R1225	NRSA63J-103X	MG RESISTOR	10kΩ 1/16W J		R1605	NRSA63J-470X	MG RESISTOR	47Ω 1/16W J	
R1226	NRSA63J-472X	MG RESISTOR	4.7kΩ 1/16W J		R1606	NRSA63J-470X	MG RESISTOR	47Ω 1/16W J	
R1227	NRSA63J-101X	MG RESISTOR	100Ω 1/16W J		R1607	NRSA63J-470X	MG RESISTOR	47Ω 1/16W J	
R1228	NRSA63J-101X	MG RESISTOR	100Ω 1/16W J		R1608	NRSA63J-470X	MG RESISTOR	47Ω 1/16W J	
R1229	NRSA63J-472X	MG RESISTOR	4.7kΩ 1/16W J		R1613	NRSA63J-0R0X	MG RESISTOR	0Ω 1/16W J	
					R1614	NRSA63J-0R0X	MG RESISTOR	0Ω 1/16W J	

△ Symbol No.	Part No.	Part Name	Description	Local	△ Symbol No.	Part No.	Part Name	Description	Local
R1615	NRSA63J-0R0X	MG RESISTOR	0Ω 1/16W J		RA1403	NRZ0040-101X	NET RESISTOR	100Ω 1/16W J x4	
R1616	NRSA63J-0R0X	MG RESISTOR	0Ω 1/16W J		RA1404	NRZ0040-101X	NET RESISTOR	100Ω 1/16W J x4	
R1617	NRSA63J-270X	MG RESISTOR	27Ω 1/16W J		RA1405	NRZ0034-101W	NET RESISTOR	100Ω 1/32W J	
R1618	NRSA63J-270X	MG RESISTOR	27Ω 1/16W J		RA1406	NRZ0034-101W	NET RESISTOR	100Ω 1/32W J	
R1619	NRSA63J-101X	MG RESISTOR	100Ω 1/16W J		RA1407	NRZ0034-101W	NET RESISTOR	100Ω 1/32W J	
R1620	NRSA63J-101X	MG RESISTOR	100Ω 1/16W J		RA1408	NRZ0034-101W	NET RESISTOR	100Ω 1/32W J	
R1621	NRSA63J-270X	MG RESISTOR	27Ω 1/16W J		RA1409	NRZ0034-101W	NET RESISTOR	100Ω 1/32W J	
R1622	NRSA63J-270X	MG RESISTOR	27Ω 1/16W J		RA1410	NRZ0034-101W	NET RESISTOR	100Ω 1/32W J	
R1623	NRSA63J-270X	MG RESISTOR	27Ω 1/16W J		RA1411	NRZ0034-101W	NET RESISTOR	100Ω 1/32W J	
R1624	NRSA63J-270X	MG RESISTOR	27Ω 1/16W J		RA1601	NRZ0040-101X	NET RESISTOR	100Ω 1/16W J x4	
R1625	NRSA63J-101X	MG RESISTOR	100Ω 1/16W J		RA1602	NRZ0040-101X	NET RESISTOR	100Ω 1/16W J x4	
R1626	NRSA63J-101X	MG RESISTOR	100Ω 1/16W J		RA1603	NRZ0040-101X	NET RESISTOR	100Ω 1/16W J x4	
R1627	NRSA63J-270X	MG RESISTOR	27Ω 1/16W J		RA1604	NRZ0040-101X	NET RESISTOR	100Ω 1/16W J x4	
R1628	NRSA63J-270X	MG RESISTOR	27Ω 1/16W J		RA1605	NRZ0040-101X	NET RESISTOR	100Ω 1/16W J x4	
R1642	NRSA63J-100X	MG RESISTOR	10Ω 1/16W J		RA1606	NRZ0040-101X	NET RESISTOR	100Ω 1/16W J x4	
R1644	NRSA63J-470X	MG RESISTOR	47Ω 1/16W J		RA1607	NRZ0040-101X	NET RESISTOR	100Ω 1/16W J x4	
R1649	NRSA63J-101X	MG RESISTOR	100Ω 1/16W J		RA1608	NRZ0040-101X	NET RESISTOR	100Ω 1/16W J x4	
R1650	NRSA63J-101X	MG RESISTOR	100Ω 1/16W J		RA1609	NRZ0040-220X	NET RESISTOR	22Ω 1/16W J x4	
R1651	NRSA63J-101X	MG RESISTOR	100Ω 1/16W J		RA1610	NRZ0040-220X	NET RESISTOR	22Ω 1/16W J x4	
R1652	NRSA63J-101X	MG RESISTOR	100Ω 1/16W J		RA1611	NRZ0040-220X	NET RESISTOR	22Ω 1/16W J x4	
R1653	NRSA63J-0R0X	MG RESISTOR	0Ω 1/16W J		RA1612	NRZ0040-220X	NET RESISTOR	22Ω 1/16W J x4	
R1654	NRSA63J-0R0X	MG RESISTOR	0Ω 1/16W J		RA1613	NRZ0040-220X	NET RESISTOR	22Ω 1/16W J x4	
R1655	NRSA63J-0R0X	MG RESISTOR	0Ω 1/16W J		RA1614	NRZ0040-220X	NET RESISTOR	22Ω 1/16W J x4	
R1656	NRSA63J-0R0X	MG RESISTOR	0Ω 1/16W J		RA1615	NRZ0040-220X	NET RESISTOR	22Ω 1/16W J x4	
R1657	NRSA63J-220X	MG RESISTOR	22Ω 1/16W J		RA1616	NRZ0040-220X	NET RESISTOR	22Ω 1/16W J x4	
R1658	NRSA63J-220X	MG RESISTOR	22Ω 1/16W J		RA1617	NRZ0040-101X	NET RESISTOR	100Ω 1/16W J x4	
R1659	NRSA63J-220X	MG RESISTOR	22Ω 1/16W J		RA1618	NRZ0040-101X	NET RESISTOR	100Ω 1/16W J x4	
R1660	NRSA63J-220X	MG RESISTOR	22Ω 1/16W J		RA1619	NRZ0040-101X	NET RESISTOR	100Ω 1/16W J x4	
R1701	NRSA63J-271X	MG RESISTOR	270Ω 1/16W J		RA1620	NRZ0040-101X	NET RESISTOR	100Ω 1/16W J x4	
R1702	NRSA63J-102X	MG RESISTOR	1kΩ 1/16W J		RA1621	NRZ0040-101X	NET RESISTOR	100Ω 1/16W J x4	
R1703	NRSA63D-222X	MG RESISTOR	2.2kΩ 1/16W D		RA1622	NRZ0040-101X	NET RESISTOR	100Ω 1/16W J x4	
R1704	NRSA63D-222X	MG RESISTOR	2.2kΩ 1/16W D		RA1623	NRZ0040-101X	NET RESISTOR	100Ω 1/16W J x4	
R1801	NRSA63J-0R0X	MG RESISTOR	0Ω 1/16W J		RA1624	NRZ0040-101X	NET RESISTOR	100Ω 1/16W J x4	
R1802	NRSA63J-0R0X	MG RESISTOR	0Ω 1/16W J		RA1625	NRZ0040-100X	NET RESISTOR	10Ω 1/16W J x4	
R1803	NRSA63J-103X	MG RESISTOR	10kΩ 1/16W J		RA1626	NRZ0040-100X	NET RESISTOR	10Ω 1/16W J x4	
R1804	NRSA63J-103X	MG RESISTOR	10kΩ 1/16W J		RA1627	NRZ0040-100X	NET RESISTOR	10Ω 1/16W J x4	
R1805	NRSA63J-0R0X	MG RESISTOR	0Ω 1/16W J		RA1628	NRZ0040-100X	NET RESISTOR	10Ω 1/16W J x4	
R1807	NRSA63J-103X	MG RESISTOR	10kΩ 1/16W J		RA1629	NRZ0040-470X	NET RESISTOR	47Ω 1/16W J x4	
R1809	NRSA63J-103X	MG RESISTOR	10kΩ 1/16W J		RA1630	NRZ0040-470X	NET RESISTOR	47Ω 1/16W J x4	
R1810	NRSA63J-394X	MG RESISTOR	390kΩ 1/16W J		RA1631	NRZ0040-470X	NET RESISTOR	47Ω 1/16W J x4	
R1812	NRSA63J-0R0X	MG RESISTOR	0Ω 1/16W J		RA1632	NRZ0040-470X	NET RESISTOR	47Ω 1/16W J x4	
R1813	NRSA63J-560X	MG RESISTOR	56Ω 1/16W J		RA1801	NRZ0034-103W	NET RESISTOR	10kΩ 1/32W J	
R1814	NRSA63J-560X	MG RESISTOR	56Ω 1/16W J		RA1802	NRZ0034-103W	NET RESISTOR	10kΩ 1/32W J	
R1815	NRSA63J-560X	MG RESISTOR	56Ω 1/16W J		RA2201	NRZ0040-0R0X	NET RESISTOR	0Ω 1/16W J x4	
R1816	NRSA63J-560X	MG RESISTOR	56Ω 1/16W J		RA2202	NRZ0040-0R0X	NET RESISTOR	0Ω 1/16W J x4	
R1817	NRSA63J-512X	MG RESISTOR	5.1kΩ 1/16W J		RA2203	NRZ0040-0R0X	NET RESISTOR	0Ω 1/16W J x4	
R1818	NRSA63D-562X	MG RESISTOR	5.6kΩ 1/16W D		RA2204	NRZ0040-0R0X	NET RESISTOR	0Ω 1/16W J x4	
R1819	NRSA63D-751X	MG RESISTOR	750Ω 1/16W D		RA2205	NRZ0040-0R0X	NET RESISTOR	0Ω 1/16W J x4	
R1820	NRSA63J-103X	MG RESISTOR	10kΩ 1/16W J		RA2206	NRZ0040-0R0X	NET RESISTOR	0Ω 1/16W J x4	
R1821	NRSA63J-102X	MG RESISTOR	1kΩ 1/16W J		RA2207	NRZ0040-0R0X	NET RESISTOR	0Ω 1/16W J x4	
R1822	NRSA63J-0R0X	MG RESISTOR	0Ω 1/16W J		RA2208	NRZ0040-330X	NET RESISTOR	33Ω 1/16W J x4	
R2201	NRSA63J-103X	MG RESISTOR	10kΩ 1/16W J		RA2209	NRZ0040-330X	NET RESISTOR	33Ω 1/16W J x4	
R2202	NRSA63J-562X	MG RESISTOR	5.6kΩ 1/16W J		RA2210	NRZ0040-330X	NET RESISTOR	33Ω 1/16W J x4	
R2203	NRSA63J-472X	MG RESISTOR	4.7kΩ 1/16W J		RA2211	NRZ0040-330X	NET RESISTOR	33Ω 1/16W J x4	
R2204	NRSA63J-330X	MG RESISTOR	33Ω 1/16W J						
R2205	NRSA63J-820X	MG RESISTOR	82Ω 1/16W J		L1004	NQL144K-100X	P COIL	0.30Ω 10uH K	
R2206	NRSA63J-220X	MG RESISTOR	22Ω 1/16W J		L1801	NQL144K-100X	P COIL	0.30Ω 10uH K	
R2207	NRSA63J-220X	MG RESISTOR	22Ω 1/16W J		T1801	NQR0444-001X	CHOKE COIL		
R2208	NRSA63J-820X	MG RESISTOR	82Ω 1/16W J						
R2209	NRSA63J-220X	MG RESISTOR	22Ω 1/16W J		B1001	NRSA02J-0R0X	MG RESISTOR	0Ω 1/10W J	
R2210	NRSA63J-820X	MG RESISTOR	82Ω 1/16W J		B1007	NRSA02J-0R0X	MG RESISTOR	0Ω 1/10W J	
R2211	NRSA63J-330X	MG RESISTOR	33Ω 1/16W J		B1008	NRSA02J-0R0X	MG RESISTOR	0Ω 1/10W J	
R2212	NRSA63J-330X	MG RESISTOR	33Ω 1/16W J		B1204	NRSA63J-0R0X	MG RESISTOR	0Ω 1/16W J	
R2213	NRSA63J-330X	MG RESISTOR	33Ω 1/16W J		B1208	NRSA63J-0R0X	MG RESISTOR	0Ω 1/16W J	
R2214	NRSA63J-330X	MG RESISTOR	33Ω 1/16W J		B1802	NRSA02J-0R0X	MG RESISTOR	0Ω 1/10W J	
R2215	NRSA63J-330X	MG RESISTOR	33Ω 1/16W J		CN1001	QGB2027L6-28X	CONNECTOR	B-B (1-28)	
RA1001	NRZ0040-0R0X	NET RESISTOR	0Ω 1/16W J x4		CN1002	QGB2027L6-28X	CONNECTOR	B-B (1-28)	
RA1002	NRZ0040-0R0X	NET RESISTOR	0Ω 1/16W J x4		CN1402	QGA2001C2-04V	CONNECTOR	W-B (1-4)	
RA1003	NRZ0034-103W	NET RESISTOR	10kΩ 1/32W J		CN1403	QGF1016C2-04W	CONNECTOR	FFC/FPC (1-4)	
RA1004	NRZ0034-103W	NET RESISTOR	10kΩ 1/32W J		CN1801	QGB2027L1-10X	CONNECTOR	B-B (1-10)	
RA1005	NRZ0034-103W	NET RESISTOR	10kΩ 1/32W J		CN2201	QGF0539C1-40W	CONNECTOR	FFC/FPC (1-40)	
RA1006	NRZ0034-103W	NET RESISTOR	10kΩ 1/32W J		K1001	NRSA02J-0R0X	MG RESISTOR	0Ω 1/10W J	
RA1201	NRZ0034-103W	NET RESISTOR	10kΩ 1/32W J		K1002	NRSA63J-0R0X	MG RESISTOR	0Ω 1/16W J	
RA1202	NRZ0034-103W	NET RESISTOR	10kΩ 1/32W J		K1003	NQR0129-002X	FERRITE BEADS		
RA1203	NRZ0034-103W	NET RESISTOR	10kΩ 1/32W J		K1004	NRSA63J-0R0X	MG RESISTOR	0Ω 1/16W J	
RA1204	NRZ0034-103W	NET RESISTOR	10kΩ 1/32W J		K1005	NQR0129-002X	FERRITE BEADS		
RA1401	NRZ0040-101X	NET RESISTOR	100Ω 1/16W J x4		K1006	NRSA63J-0R0X	MG RESISTOR	0Ω 1/16W J	
RA1402	NRZ0040-101X	NET RESISTOR	100Ω 1/16W J x4		K1007	NRSA63J-0R0X	MG RESISTOR	0Ω 1/16W J	

△ Symbol No.	Part No.	Part Name	Description	Local
K1008	NRSA63J-0R0X	MG RESISTOR	0Ω 1/16W J	
K1009	NRSA63J-0R0X	MG RESISTOR	0Ω 1/16W J	
K1010	NQR0129-002X	FERRITE BEADS		
K1011	NQR0129-002X	FERRITE BEADS		
K1012	NQR0129-002X	FERRITE BEADS		
K1013	NQR0129-002X	FERRITE BEADS		
K1014	NQR0129-002X	FERRITE BEADS		
K1015	NQR0129-002X	FERRITE BEADS		
K1016	NQR0129-002X	FERRITE BEADS		
K1017	NQR0129-002X	FERRITE BEADS		
K1018	NQR0129-002X	FERRITE BEADS		
K1019	NRSA02J-0R0X	MG RESISTOR	0Ω 1/10W J	
K1020	NQR0129-002X	FERRITE BEADS		
K1201	NRSA63J-0R0X	MG RESISTOR	0Ω 1/16W J	
K1401	NRSA02J-0R0X	MG RESISTOR	0Ω 1/10W J	
K1402	NRSA02J-0R0X	MG RESISTOR	0Ω 1/10W J	
K1403	NRSA02J-0R0X	MG RESISTOR	0Ω 1/10W J	
K1404	NQR0339-001X	FERRITE BEADS		
K1406	NQR0339-001X	FERRITE BEADS		
K1407	NRSA02J-0R0X	MG RESISTOR	0Ω 1/10W J	
K1408	NRSA02J-0R0X	MG RESISTOR	0Ω 1/10W J	
K1701	NRSA02J-0R0X	MG RESISTOR	0Ω 1/10W J	
K1702	NRSA02J-0R0X	MG RESISTOR	0Ω 1/10W J	
K1801	NRSA02J-0R0X	MG RESISTOR	0Ω 1/10W J	
K2201	NQR0129-002X	FERRITE BEADS		
K2202	NQR0129-002X	FERRITE BEADS		
K2203	NQR0129-002X	FERRITE BEADS		
K2204	NQR0129-002X	FERRITE BEADS		
K2205	NQR0129-002X	FERRITE BEADS		
K2206	NQR0129-002X	FERRITE BEADS		
K2207	NQR0129-002X	FERRITE BEADS		
K2208	NQR0129-002X	FERRITE BEADS		
K2209	NQR0129-002X	FERRITE BEADS		
K2210	NQR0129-002X	FERRITE BEADS		
K2211	NQR0129-002X	FERRITE BEADS		
K2212	NQR0129-002X	FERRITE BEADS		
K2213	NQR0129-002X	FERRITE BEADS		
K2214	NQR0129-002X	FERRITE BEADS		
K2215	NQR0129-002X	FERRITE BEADS		
K2216	NQR0129-002X	FERRITE BEADS		
K2217	NQR0129-002X	FERRITE BEADS		
K2218	NQR0129-002X	FERRITE BEADS		
K2219	NQR0129-002X	FERRITE BEADS		
K2220	NQR0129-002X	FERRITE BEADS		
K2221	NQR0129-002X	FERRITE BEADS		
LC1401	NQR0415-002X	EMI FILTER	1uF 16V Z	
LC1402	NQR0415-002X	EMI FILTER	1uF 16V Z	
LC1403	NQR0415-002X	EMI FILTER	1uF 16V Z	
OT1	LC41656-001A	COOLING SHEET		
SD1	LP21258-001A	SHIELD CASE		
X1401	NAX0580-001X	CXO	27.0000MHZ	
X1801	NAX0666-001X	CRYSTAL	24.576000MHZ	

△ Symbol No.	Part No.	Part Name	Description	Local
IC6701	MSP3417GQB8V3X	IC		
IC6701	or MSP3417G-X	IC		
IC7301	MM1623XF-X	IC		
IC7302	MM1508XN-X	IC		
IC7303	TC74HC4053AF-X	IC		
IC7303	or CD74HC4053NS-X	IC		
IC7304	MM1501XN-X	IC		
IC8001	AK5365VQ	IC		
IC8201	AK4385VT-X	IC		
IC8201	or AK4381VT-X	IC		
IC8202	BA15218F-XE	IC		
IC8301	LA7151M-X	IC		
IC8302	LA7151M-X	IC		
IC8303	BA15218F-XE	IC		
IC8501	SN74LV08APW-X	IC		
Q3004	2SC2412K/QRS/-X	TRANSISTOR		
Q3004	or 2SD601A/QRS/-X	TRANSISTOR		
Q3004	or 2SC3928A/QRS/-X	TRANSISTOR		
Q3007	UN221E-X	TRANSISTOR		
Q3007	or DTC144WKA-X	DIGI TRANSISTOR		
Q3007	or RT1N44HC-X	DIGI TRANSISTOR		
Q3009	UN221E-X	TRANSISTOR		
Q3009	or DTC144WKA-X	DIGI TRANSISTOR		
Q3009	or RT1N44HC-X	DIGI TRANSISTOR		
Q3010	UN221E-X	TRANSISTOR		
Q3010	or DTC144WKA-X	DIGI TRANSISTOR		
Q3010	or RT1N44HC-X	DIGI TRANSISTOR		
Q3901	UN221E-X	TRANSISTOR		
Q3901	or DTC144WKA-X	DIGI TRANSISTOR		
Q3901	or RT1N44HC-X	DIGI TRANSISTOR		
Q4001	2SB709A/QR/-X	TRANSISTOR		
Q4001	or 2SA1037AK/QR/-X	TRANSISTOR		
Q4001	or 2SA1530A/QR/-X	SI TRANSISTOR		
Q4003	2SD601A/QRS/-X	TRANSISTOR		
Q4003	or 2SC2412K/QRS/-X	TRANSISTOR		
Q4003	or 2SC3928A/QRS/-X	TRANSISTOR		
Q4006	2SC2412K/QRS/-X	TRANSISTOR		
Q4006	or 2SC3928A/QRS/-X	TRANSISTOR		
Q4101	2SD2144S/UV/-T	TRANSISTOR		
Q4101	or 2SC3576-JVC-T	TRANSISTOR		
Q4301	2SD601A/QRS/-X	TRANSISTOR		M10SEF
Q4301	or 2SC2412K/QRS/-X	TRANSISTOR		M10SEF
Q4301	or 2SC3928A/QRS/-X	TRANSISTOR		M10SEF
Q4302	2SB709A/QR/-X	TRANSISTOR		M10SEF
Q4302	or 2SA1037AK/QR/-X	TRANSISTOR		M10SEF
Q4302	or 2SA1530A/QR/-X	SI TRANSISTOR		M10SEF
Q4303	2SB709A/QR/-X	TRANSISTOR		M10SEF
Q4303	or 2SA1037AK/QR/-X	TRANSISTOR		M10SEF
Q4303	or 2SA1530A/QR/-X	SI TRANSISTOR		M10SEF
Q6030	2SA1037AK/QR/-X	TRANSISTOR		
Q6030	or 2SB709A/QR/-X	TRANSISTOR		
Q6030	or 2SA1530A/QR/-X	SI TRANSISTOR		
Q6031	UN2211-X	TRANSISTOR		
Q6031	or DTC114EKA-X	TRANSISTOR		
Q7201	2SC1317/RS/-T	TRANSISTOR		
Q7301	2SD601A/QRS/-X	TRANSISTOR		
Q7301	or 2SC2412K/QRS/-X	TRANSISTOR		
Q7301	or 2SC3928A/QRS/-X	TRANSISTOR		
Q7302	2SD601A/QRS/-X	TRANSISTOR		
Q7302	or 2SC2412K/QRS/-X	TRANSISTOR		
Q7302	or 2SC3928A/QRS/-X	TRANSISTOR		
Q7310	2SB709A/QR/-X	TRANSISTOR		
Q7310	or 2SA1037AK/QR/-X	TRANSISTOR		
Q7310	or 2SA1530A/QR/-X	SI TRANSISTOR		
Q7311	2SB709A/QR/-X	TRANSISTOR		
Q7311	or 2SA1037AK/QR/-X	TRANSISTOR		
Q7311	or 2SA1530A/QR/-X	SI TRANSISTOR		
Q7312	UN221E-X	TRANSISTOR		
Q7312	or DTC144WKA-X	DIGI TRANSISTOR		
Q7312	or RT1N44HC-X	DIGI TRANSISTOR		
Q7313	UN221E-X	TRANSISTOR		
Q7313	or DTC144WKA-X	DIGI TRANSISTOR		
Q7313	or RT1N44HC-X	DIGI TRANSISTOR		
Q7314	UN221E-X	TRANSISTOR		
Q7314	or DTC144WKA-X	DIGI TRANSISTOR		
Q7314	or RT1N44HC-X	DIGI TRANSISTOR		
Q7315	DTC114TKA-X	TRANSISTOR		

Main board

Block No. [0][3]

△ Symbol No.	Part No.	Part Name	Description	Local
PW1	LPA10239-01C1	MAIN BOARD ASSY		M10SEF
PW1	LPA10239-02C1	MAIN BOARD ASSY		M10SEK
PW1	LPA10239-03C1	MAIN BOARD ASSY		M10BE,M10SE,M10SER
IC3001	HD6432194SXD77F	IC(MCU)		
IC3001	or HD64F2194FD77	IC(MCU)		
IC3001	or HD64F2194CFD77	IC(MCU)		
IC3002	IC-PST3427U-X	IC		
IC3004	LPN0867-003B-33	IC(EEPROM)		M10SEF
IC3004	LPN0867-001B-32	IC(EEPROM)		M10SEK
IC3004	LPN0867-002A-31	IC(EEPROM)		M10BE,M10SE,M10SER
IC4001	JCP8038-I	IC		
IC4001	or JCP8038	IC		
IC4201	LC74793	IC		
IC4301	LA7357M-W	IC		M10SEF
IC4304	74HC4538D-X	IC		M10SEF

△ Symbol No.	Part No.	Part Name	Description	Local	△ Symbol No.	Part No.	Part Name	Description	Local
Q7315	or RT1N140C-X	DIGI TRANSISTOR			C3051	NCB31HK-272X	C CAPACITOR	2700pF 50V K	
Q7315	or UN2215-X	TRANSISTOR			C3054	NCB31EK-103X	C CAPACITOR	0.01uF 25V K	
Q7316	2SB709A/QR/-X	TRANSISTOR			C4001	QEKJ0JM-476Z	E CAPACITOR	47uF 6.3V M	
Q7316	or 2SA1037AK/QR/-X	TRANSISTOR			C4002	NCB31CK-104X	C CAPACITOR	0.1uF 16V K	
Q7316	or 2SA1530A/QR/-X	SI TRANSISTOR			C4003	NCF31AZ-105X	C CAPACITOR	1uF 10V Z	
Q7317	2SB709A/QR/-X	TRANSISTOR			C4005	NCB31EK-103X	C CAPACITOR	0.01uF 25V K	
Q7317	or 2SA1037AK/QR/-X	TRANSISTOR			C4006	NCB31EK-103X	C CAPACITOR	0.01uF 25V K	
Q7317	or 2SA1530A/QR/-X	SI TRANSISTOR			C4008	NCF31AZ-105X	C CAPACITOR	1uF 10V Z	
Q8201	UN221E-X	TRANSTSTOR			C4010	NCB31EK-103X	C CAPACITOR	0.01uF 25V K	
Q8201	or DTC144WKA-X	DIGI TRANSISTOR			C4012	NCB31EK-103X	C CAPACITOR	0.01uF 25V K	
Q8201	or RT1N44HC-X	DIGI TRANSISTOR			C4013	NCF31AZ-105X	C CAPACITOR	1uF 10V Z	
Q8202	UN211E-X	DIGI TRANSISTOR			C4015	NCB31EK-103X	C CAPACITOR	0.01uF 25V K	
Q8202	or DTA144WKA-X	TRANSISTOR			C4016	NCB31EK-103X	C CAPACITOR	0.01uF 25V K	
Q8202	or RT1P44HC-X	DIGI TRANSISTOR			C4018	NCF31AZ-105X	C CAPACITOR	1uF 10V Z	
Q8203	2SC2412K/QRS/-X	TRANSISTOR			C4019	NCF31AZ-105X	C CAPACITOR	1uF 10V Z	
Q8203	or 2SD601A/QRS/-X	TRANSISTOR			C4021	NCB31EK-103X	C CAPACITOR	0.01uF 25V K	
Q8203	or 2SC3928A/QRS/-X	TRANSISTOR			C4022	NCB31EK-103X	C CAPACITOR	0.01uF 25V K	
Q8205	2SC2412K/QRS/-X	TRANSISTOR			C4023	NCB31EK-103X	C CAPACITOR	0.01uF 25V K	
Q8205	or 2SD601A/QRS/-X	TRANSISTOR			C4024	NCB31EK-103X	C CAPACITOR	0.01uF 25V K	
Q8205	or 2SC3928A/QRS/-X	TRANSISTOR			C4025	NCB31EK-103X	C CAPACITOR	0.01uF 25V K	
Q8301	2SC2412K/QRS/-X	TRANSISTOR			C4026	NCB31EK-103X	C CAPACITOR	0.01uF 25V K	
Q8301	or 2SD601A/QRS/-X	TRANSISTOR			C4027	NCB31EK-103X	C CAPACITOR	0.01uF 25V K	
Q8301	or 2SC3928A/QRS/-X	TRANSISTOR			C4028	QEKJ1EM-106Z	E CAPACITOR	10uF 25V M	
Q8302	2SC2412K/QRS/-X	TRANSISTOR			C4029	QEKJ0JM-476Z	E CAPACITOR	47uF 6.3V M	
Q8302	or 2SD601A/QRS/-X	TRANSISTOR			C4030	NCB31EK-103X	C CAPACITOR	0.01uF 25V K	
Q8302	or 2SC3928A/QRS/-X	TRANSISTOR			C4033	NCB31EK-103X	C CAPACITOR	0.01uF 25V K	
Q8303	2SC2412K/QRS/-X	TRANSISTOR			C4034	QEKJ1HM-475Z	E CAPACITOR	4.7uF 50V M	
Q8303	or 2SD601A/QRS/-X	TRANSISTOR			C4035	NCB31EK-103X	C CAPACITOR	0.01uF 25V K	
Q8303	or 2SC3928A/QRS/-X	TRANSISTOR			C4036	NCB31EK-103X	C CAPACITOR	0.01uF 25V K	
Q8304	2SC2412K/QRS/-X	TRANSISTOR			C4037	NCB31EK-103X	C CAPACITOR	0.01uF 25V K	
Q8304	or 2SD601A/QRS/-X	TRANSISTOR			C4039	NCB31EK-103X	C CAPACITOR	0.01uF 25V K	
Q8304	or 2SC3928A/QRS/-X	TRANSISTOR			C4040	NCB31EK-103X	C CAPACITOR	0.01uF 25V K	
					C4041	NCB31EK-103X	C CAPACITOR	0.01uF 25V K	
D3002	1SS133-T2	DIODE			C4043	NCB31EK-104X	C CAPACITOR	0.1uF 25V K	
D3002	or 1SS270A-T2	SI DIODE			C4045	QEKJ1HM-225Z	E CAPACITOR	2.2uF 50V M	
D3003	RD39ES/B3-T2	Z DIODE			C4046	NCB31EK-103X	C CAPACITOR	0.01uF 25V K	
D3003	or MTZJ39C-T2	Z DIODE			C4047	NCB31EK-103X	C CAPACITOR	0.01uF 25V K	
D3004	10EDB20-T2	SI DIODE			C4049	NDC31HJ-100X	C CAPACITOR	10pF 50V J	
D3004	or 1A3G-T2	SI DIODE			C4050	NDC31HJ-820X	C CAPACITOR	82pF 50V J	
D3005	10EDB20-T2	SI DIODE			C4055	NCB31EK-104X	C CAPACITOR	0.1uF 25V K	
D3005	or 1A3G-T2	SI DIODE			C4056	NCB31EK-103X	C CAPACITOR	0.01uF 25V K	
D3007	1SS355-X	SI DIODE			C4065	QEKJ0JM-476Z	E CAPACITOR	47uF 6.3V M	
D3007	or MA111-X	SI DIODE			C4067	NDC31HJ-151X	C CAPACITOR	150pF 50V J	
D3008	1SS355-X	SI DIODE			C4068	NCB31HK-102X	C CAPACITOR	1000pF 50V K	
D3008	or MA111-X	SI DIODE			C4069	NDC31HJ-821X	C CAPACITOR	820pF 50V J	
D4001	DA204U-X	SI DIODE			C4071	NCB31CK-104X	C CAPACITOR	0.1uF 16V K	
D4002	DA204U-X	SI DIODE			C4072	QEKJ0JM-107Z	E CAPACITOR	100uF 6.3V M	
D4301	1SS133-T2	DIODE		M10SEF	C4081	NCB31HK-102X	C CAPACITOR	1000pF 50V K	
D6002	HZ30-2LT	Z DIODE			C4109	QEKJ0JM-476Z	E CAPACITOR	47uF 6.3V M	
D6002	or HZ30-2LTD	Z DIODE			C4110	QEKJ0JM-107Z	E CAPACITOR	100uF 6.3V M	
D6701	1SS133-T2	DIODE			C4201	QEKJ0JM-227Z	E CAPACITOR	220uF 6.3V M	
D6701	or 1SS270A-T2	SI DIODE			C4202	NCB31CK-104X	C CAPACITOR	0.1uF 16V K	
D7304	1SS133-T2	DIODE			C4203	NCB30JK-105X	C CAPACITOR	1uF 6.3V K	
D8001	1SS355-X	SI DIODE			C4204	NCB30JK-105X	C CAPACITOR	1uF 6.3V K	
D8001	or MA111-X	SI DIODE			C4207	NCB31CK-563X	C CAPACITOR	0.056uF 16V K	
D8202	1SS355-X	SI DIODE			C4208	QEKJ1HM-475Z	E CAPACITOR	4.7uF 50V M	
					C4209	NCB31AK-224X	C CAPACITOR	0.22uF 10V K	
C3007	NCB30JK-105X	C CAPACITOR	1uF 6.3V K		C4210	QEKJ0JM-227Z	E CAPACITOR	220uF 6.3V M	
C3010	QE20244-229	EDL CAPACITOR	0.022F 5.5V Z		C4211	NCB31EK-103X	C CAPACITOR	0.01uF 25V K	
C3014	QEKJ0JM-476Z	E CAPACITOR	47uF 6.3V M		C4301	NCB31EK-103X	C CAPACITOR	0.01uF 25V K	M10SEF
C3015	NCB31CK-104X	C CAPACITOR	0.1uF 16V K		C4302	QEKJ1CM-476Z	E CAPACITOR	47uF 16V M	M10SEF
C3016	NCB31CK-104X	C CAPACITOR	0.1uF 16V K		C4304	NCB31EK-103X	C CAPACITOR	0.01uF 25V K	M10SEF
C3022	NCB31CK-104X	C CAPACITOR	0.1uF 16V K		C4305	NCB31EK-103X	C CAPACITOR	0.01uF 25V K	M10SEF
C3024	NDC31HJ-120X	C CAPACITOR	12pF 50V J	M10SEF,M10SEK	C4306	NCB31EK-103X	C CAPACITOR	0.01uF 25V K	M10SEF
C3024	NDC31HJ-220X	C CAPACITOR	22pF 50V J	M10BE,M10SE,M10SER	C4307	NCB31EK-103X	C CAPACITOR	0.01uF 25V K	M10SEF
C3025	QAT3725-300Z	TRIM CAPACITOR	30pF TIMER CLOCK	M10BE,M10SE,M10SER	C4308	NCB31EK-103X	C CAPACITOR	0.01uF 25V K	M10SEF
C3027	QERF1CM-106Z	E CAPACITOR	10uF 16V M		C4309	NCB31EK-103X	C CAPACITOR	0.01uF 25V K	M10SEF
C3030	QEKJ0JM-476Z	E CAPACITOR	47uF 6.3V M		C4310	NDC31HJ-471X	C CAPACITOR	470pF 50V J	M10SEF
C3031	NCB31CK-104X	C CAPACITOR	0.1uF 16V K		C4318	NCB31CK-104X	C CAPACITOR	0.1uF 16V K	M10SEF
C3032	NCB31CK-104X	C CAPACITOR	0.1uF 16V K		C4319	NDC31HJ-471X	C CAPACITOR	470pF 50V J	M10SEF
C3033	NCB31CK-104X	C CAPACITOR	0.1uF 16V K		C6006	NCB21HK-103X	C CAPACITOR	0.01uF 50V K	M10BE,M10SE, M10SEK,M10SER
C3036	NDC31HJ-180X	C CAPACITOR	18pF 50V J		C6007	QEKJ0JM-337Z	E CAPACITOR	330uF 6.3V M	
C3037	NDC31HJ-120X	C CAPACITOR	12pF 50V J		C6014	NCB21HK-103X	C CAPACITOR	0.01uF 50V K	
C3038	QEKJ0JM-476Z	E CAPACITOR	47uF 6.3V M		C6037	QEKJ1EM-106Z	E CAPACITOR	10uF 25V M	M10SEF
C3039	NCB31EK-103X	C CAPACITOR	0.01uF 25V K		C6701	NCB21HK-102X	C CAPACITOR	1000pF 50V K	
C3041	NDC31HJ-180X	C CAPACITOR	18pF 50V J	M10SEF,M10SEK	C6707	NDC21HJ-470X	C CAPACITOR	47pF 50V J	
C3042	QETN0JM-477Z	E CAPACITOR	470uF 6.3V M		C6708	NDC21HJ-8R0X	C CAPACITOR	8pF 50V J	
C3050	NCB31CK-104X	C CAPACITOR	0.1uF 16V K						

△ Symbol No.	Part No.	Part Name	Description	Local	△ Symbol No.	Part No.	Part Name	Description	Local
C6709	NDC21HJ-8R0X	C CAPACITOR	8pF 50V J		C8208	NDC31HJ-471X	C CAPACITOR	470pF 50V J	
C6713	NCF21CZ-224X	C CAPACITOR	0.22uF 16V Z		C8209	NCB31CK-104X	C CAPACITOR	0.1uF 16V K	
C6714	NCB21HK-222X	C CAPACITOR	2200pF 50V K		C8210	QETJ1CM-227Z	E CAPACITOR	220uF 16V M	
C6715	QEKJ1HM-225Z	E CAPACITOR	2.2uF 50V M		C8211	NCB31CK-104X	C CAPACITOR	0.1uF 16V K	
C6716	NCB21HK-222X	C CAPACITOR	2200pF 50V K		C8212	QETJ1CM-227Z	E CAPACITOR	220uF 16V M	
C6717	QEKJ1HM-225Z	E CAPACITOR	2.2uF 50V M		C8215	QETJ1EM-476Z	E CAPACITOR	47uF 25V M	
C6719	QEKJ1CM-106Z	E CAPACITOR	10uF 16V M		C8217	QETJ1EM-476Z	E CAPACITOR	47uF 25V M	
C6720	QEKJ1CM-106Z	E CAPACITOR	10uF 16V M		C8220	NCF31EZ-104X	C CAPACITOR	0.1uF 25V Z	
C6721	NCB21HK-103X	C CAPACITOR	0.01uF 50V K		C8301	QETN1CM-477Z	E CAPACITOR	470uF 16V M	
C6723	NCB21HK-103X	C CAPACITOR	0.01uF 50V K		C8302	NCB31CK-104X	C CAPACITOR	0.1uF 16V K	
C6724	QEKJ1HM-225Z	E CAPACITOR	2.2uF 50V M	M10SEF	C8303	QEKJ1HM-475Z	E CAPACITOR	4.7uF 50V M	
C6753	QEKJ0JM-337Z	E CAPACITOR	330uF 6.3V M		C8304	QEKJ1HM-475Z	E CAPACITOR	4.7uF 50V M	
C7202	QEKJ0JM-227Z	E CAPACITOR	220uF 6.3V M		C8305	QEKJ1HM-475Z	E CAPACITOR	4.7uF 50V M	
C7203	QEKJ0JM-107Z	E CAPACITOR	100uF 6.3V M		C8306	QEKJ1HM-475Z	E CAPACITOR	4.7uF 50V M	
C7301	QEKJ0JM-107Z	E CAPACITOR	100uF 6.3V M		C8307	QEKJ1HM-475Z	E CAPACITOR	4.7uF 50V M	
C7302	NCB31CK-104X	C CAPACITOR	0.1uF 16V K		C8308	QEKJ1HM-475Z	E CAPACITOR	4.7uF 50V M	
C7303	NCB31EK-103X	C CAPACITOR	0.01uF 25V K		C8311	QETN1CM-477Z	E CAPACITOR	470uF 16V M	
C7304	NCB31EK-103X	C CAPACITOR	0.01uF 25V K		C8312	NCB31CK-104X	C CAPACITOR	0.1uF 16V K	
C7305	NCB30JK-105X	C CAPACITOR	1uF 6.3V K		C8313	QEKJ1HM-475Z	E CAPACITOR	4.7uF 50V M	
C7306	NCB30JK-105X	C CAPACITOR	1uF 6.3V K		C8314	QEKJ1HM-475Z	E CAPACITOR	4.7uF 50V M	
C7307	QEKJ0JM-226Z	E CAPACITOR	22uF 6.3V M		C8315	QEKJ1HM-475Z	E CAPACITOR	4.7uF 50V M	
C7308	NCB30JK-105X	C CAPACITOR	1uF 6.3V K		C8316	QEKJ1HM-475Z	E CAPACITOR	4.7uF 50V M	
C7309	NCB30JK-105X	C CAPACITOR	1uF 6.3V K		C8317	QEKJ1HM-475Z	E CAPACITOR	4.7uF 50V M	
C7310	NCB30JK-105X	C CAPACITOR	1uF 6.3V K		C8318	QEKJ1HM-475Z	E CAPACITOR	4.7uF 50V M	
C7311	NCB31CK-104X	C CAPACITOR	0.1uF 16V K		C8321	QETN1CM-227Z	E CAPACITOR	220uF 16V M	
C7312	NCB31EK-103X	C CAPACITOR	0.01uF 25V K		C8322	NCB31CK-104X	C CAPACITOR	0.1uF 16V K	
C7313	NCB31CK-104X	C CAPACITOR	0.1uF 16V K		C8323	QETN1CM-227Z	E CAPACITOR	220uF 16V M	
C7314	NCB31EK-103X	C CAPACITOR	0.01uF 25V K		C8324	NCB31CK-104X	C CAPACITOR	0.1uF 16V K	
C7315	QEKJ1CM-476Z	E CAPACITOR	47uF 16V M		C8401	QEKJ0JM-107Z	E CAPACITOR	100uF 6.3V M	
C7316	QEKJ1HM-475Z	E CAPACITOR	4.7uF 50V M		C8402	NCB31CK-104X	C CAPACITOR	0.1uF 16V K	
C7317	NCB31CK-104X	C CAPACITOR	0.1uF 16V K		C8501	QETN1CM-107Z	E CAPACITOR	100uF 16V M	
C7318	QEKJ1HM-475Z	E CAPACITOR	4.7uF 50V M		C8502	NCB31CK-104X	C CAPACITOR	0.1uF 16V K	
C7319	QEKJ1HM-475Z	E CAPACITOR	4.7uF 50V M		C8503	QETN1HM-475Z	E CAPACITOR	4.7uF 50V M	
C7327	QETN0JM-477Z	E CAPACITOR	470uF 6.3V M		C8504	NDC31HJ-151X	C CAPACITOR	150pF 50V J	
C7330	NCB31HK-102X	C CAPACITOR	1000pF 50V K		C8505	NDC31HJ-331X	C CAPACITOR	330pF 50V J	
C7331	NCB31HK-102X	C CAPACITOR	1000pF 50V K		C8506	NCB31CK-104X	C CAPACITOR	0.1uF 16V K	
C7334	NDC31HJ-681X	C CAPACITOR	680pF 50V J		R3011	NRSA63J-0R0X	MG RESISTOR	0Ω 1/16W J	
C7335	NDC31HJ-681X	C CAPACITOR	680pF 50V J		R3012	NRSA63J-0R0X	MG RESISTOR	0Ω 1/16W J	
C7336	QETN0JM-477Z	E CAPACITOR	470uF 6.3V M		R3016	NRSA63J-0R0X	MG RESISTOR	0Ω 1/16W J	
C7337	QETN0JM-477Z	E CAPACITOR	470uF 6.3V M		R3017	NRSA63J-104X	MG RESISTOR	100kΩ 1/16W J	
C7338	QETN0JM-477Z	E CAPACITOR	470uF 6.3V M		R3018	NRSA63J-682X	MG RESISTOR	6.8kΩ 1/16W J	
C7339	QETN0JM-477Z	E CAPACITOR	470uF 6.3V M		R3022	NRSA63J-0R0X	MG RESISTOR	0Ω 1/16W J	
C7340	QETN0JM-477Z	E CAPACITOR	470uF 6.3V M		R3028	NRSA63J-102X	MG RESISTOR	1kΩ 1/16W J	
C7345	NCB31EK-103X	C CAPACITOR	0.01uF 25V K		R3029	NRSA63J-102X	MG RESISTOR	1kΩ 1/16W J	
C7346	QEKJ1CM-107Z	E CAPACITOR	100uF 16V M		R3038	NRSA63J-0R0X	MG RESISTOR	0Ω 1/16W J	
C7347	QEKJ1CM-476Z	E CAPACITOR	47uF 16V M		R3039	NRSA63J-0R0X	MG RESISTOR	0Ω 1/16W J	
C7350	NCB31HK-102X	C CAPACITOR	1000pF 50V K		R3040	NRSA63J-102X	MG RESISTOR	1kΩ 1/16W J	
C7351	NCB31HK-102X	C CAPACITOR	1000pF 50V K		R3041	NRSA63J-103X	MG RESISTOR	10kΩ 1/16W J	
C7354	NDC31HJ-681X	C CAPACITOR	680pF 50V J		R3044	NRSA63J-102X	MG RESISTOR	1kΩ 1/16W J	
C7355	NDC31HJ-681X	C CAPACITOR	680pF 50V J		R3046	NRSA63J-102X	MG RESISTOR	1kΩ 1/16W J	
C7368	NDC31HJ-120X	C CAPACITOR	12pF 50V J		R3047	NRSA63J-102X	MG RESISTOR	1kΩ 1/16W J	
C7369	NDC31HJ-6R0X	C CAPACITOR	6pF 50V J		R3048	NRSA63J-102X	MG RESISTOR	1kΩ 1/16W J	
C7371	NCB31EK-103X	C CAPACITOR	0.01uF 25V K		R3049	NRSA63J-0R0X	MG RESISTOR	0Ω 1/16W J	
C8001	NDC31HJ-101X	C CAPACITOR	100pF 50V J		R3050	NRSA63J-0R0X	MG RESISTOR	0Ω 1/16W J	
C8002	NDC31HJ-101X	C CAPACITOR	100pF 50V J		R3051	NRSA63J-471X	MG RESISTOR	470Ω 1/16W J	
C8005	QEKJ1HM-105Z	E CAPACITOR	1uF 50V M		R3052	NRSA63J-471X	MG RESISTOR	470Ω 1/16W J	
C8007	QERF1HM-105Z	E CAPACITOR	1uF 50V M		R3053	NRSA63J-471X	MG RESISTOR	470Ω 1/16W J	
C8008	QEKJ1HM-105Z	E CAPACITOR	1uF 50V M		R3054	NRSA63J-471X	MG RESISTOR	470Ω 1/16W J	
C8009	QEKJ1HM-105Z	E CAPACITOR	1uF 50V M		R3055	NRSA63J-102X	MG RESISTOR	1kΩ 1/16W J	
C8010	QEKJ1HM-105Z	E CAPACITOR	1uF 50V M		R3060	NRSA63J-0R0X	MG RESISTOR	0Ω 1/16W J	
C8011	QEKJ1HM-105Z	E CAPACITOR	1uF 50V M		R3061	NRSA63J-0R0X	MG RESISTOR	0Ω 1/16W J	
C8012	QERF1HM-105Z	E CAPACITOR	1uF 50V M		R3062	NRSA63J-103X	MG RESISTOR	10kΩ 1/16W J	
C8014	QEKJ1HM-105Z	E CAPACITOR	1uF 50V M		R3063	NRSA63J-0R0X	MG RESISTOR	0Ω 1/16W J	
C8021	QEKJ1HM-475Z	E CAPACITOR	4.7uF 50V M		R3066	NRSA63J-472X	MG RESISTOR	4.7kΩ 1/16W J	
C8022	QEKJ1HM-475Z	E CAPACITOR	4.7uF 50V M		R3069	NRSA63J-101X	MG RESISTOR	100Ω 1/16W J	
C8023	QEKJ0JM-107Z	E CAPACITOR	100uF 6.3V M		R3071	NRSA63J-103X	MG RESISTOR	10kΩ 1/16W J	
C8024	NCB31CK-104X	C CAPACITOR	0.1uF 16V K		R3072	NRSA63J-0R0X	MG RESISTOR	0Ω 1/16W J	
C8025	QEKJ1HM-475Z	E CAPACITOR	4.7uF 50V M		R3073	NRSA63J-0R0X	MG RESISTOR	0Ω 1/16W J	
C8026	NCB31CK-104X	C CAPACITOR	0.1uF 16V K		R3075	NRSA63J-0R0X	MG RESISTOR	0Ω 1/16W J	
C8027	QEKJ0JM-107Z	E CAPACITOR	100uF 6.3V M		R3076	NRSA63J-0R0X	MG RESISTOR	0Ω 1/16W J	
C8028	NCB31CK-104X	C CAPACITOR	0.1uF 16V K		R3079	NRSA63J-102X	MG RESISTOR	1kΩ 1/16W J	
C8201	NCB31CK-104X	C CAPACITOR	0.1uF 16V K		R3088	NRSA63J-0R0X	MG RESISTOR	0Ω 1/16W J	
C8202	QETJ0JM-477Z	E CAPACITOR	470uF 6.3V M		R3089	NRSA63J-0R0X	MG RESISTOR	0Ω 1/16W J	
C8203	NCB31HK-472X	C CAPACITOR	4700pF 50V K		R3090	NRSA63J-0R0X	MG RESISTOR	0Ω 1/16W J	
C8204	NDC31HJ-471X	C CAPACITOR	470pF 50V J		R3094	NRSA63J-0R0X	MG RESISTOR	0Ω 1/16W J	
C8205	NDC31HJ-471X	C CAPACITOR	470pF 50V J		R3095	NRSA63J-0R0X	MG RESISTOR	0Ω 1/16W J	
C8206	NCB31HK-472X	C CAPACITOR	4700pF 50V K		R3096	NRSA63J-0R0X	MG RESISTOR	0Ω 1/16W J	
C8207	NDC31HJ-471X	C CAPACITOR	470pF 50V J						

△ Symbol No.	Part No.	Part Name	Description	Local	△ Symbol No.	Part No.	Part Name	Description	Local
R3097	NRSA63J-102X	MG RESISTOR	1kΩ 1/16W J		R6021	NRSA02J-102X	MG RESISTOR	1kΩ 1/10W J	
R3213	NRSA63J-474X	MG RESISTOR	470kΩ 1/16W J		R6030	NRSA02J-332X	MG RESISTOR	3.3kΩ 1/10W J	
R3214	NRSA63J-334X	MG RESISTOR	330kΩ 1/16W J		R6031	NRSA02J-101X	MG RESISTOR	100Ω 1/10W J	
R3218	NRSA63J-472X	MG RESISTOR	4.7kΩ 1/16W J		R6032	NRSA02J-183X	MG RESISTOR	18kΩ 1/10W J	M10SEF
R3219	NRSA63J-472X	MG RESISTOR	4.7kΩ 1/16W J		R6033	NRSA02J-183X	MG RESISTOR	18kΩ 1/10W J	M10SEF
R3220	NRSA63J-104X	MG RESISTOR	100kΩ 1/16W J		R6080	NRSA02J-103X	MG RESISTOR	10kΩ 1/10W J	
R3223	NRSA63J-472X	MG RESISTOR	4.7kΩ 1/16W J		R6707	NRSA02J-330X	MG RESISTOR	33Ω 1/10W J	
R3224	NRSA63J-472X	MG RESISTOR	4.7kΩ 1/16W J		R6708	NRSA02J-103X	MG RESISTOR	10kΩ 1/10W J	
R3225	NRSA63J-471X	MG RESISTOR	470Ω 1/16W J		R6709	NRSA02J-102X	MG RESISTOR	1kΩ 1/10W J	
R3226	NRSA63J-471X	MG RESISTOR	470Ω 1/16W J		R6710	NRSA02J-0R0X	MG RESISTOR	0Ω 1/10W J	
R3229	NRSA63J-105X	MG RESISTOR	1MΩ 1/16W J		R6711	NRSA02J-104X	MG RESISTOR	100kΩ 1/10W J	
R3230	NRSA63J-472X	MG RESISTOR	4.7kΩ 1/16W J		R6712	NRSA02J-102X	MG RESISTOR	1kΩ 1/10W J	
R3231	NRSA63J-102X	MG RESISTOR	1kΩ 1/16W J		R6713	NRSA02J-123X	MG RESISTOR	12kΩ 1/10W J	
R3233	NRSA63J-103X	MG RESISTOR	10kΩ 1/16W J		R6714	NRSA02J-102X	MG RESISTOR	1kΩ 1/10W J	
R3234	NRSA63J-103X	MG RESISTOR	10kΩ 1/16W J		R6715	NRSA02J-123X	MG RESISTOR	12kΩ 1/10W J	
R3235	NRSA63J-332X	MG RESISTOR	3.3kΩ 1/16W J		R6716	NRSA02J-470X	MG RESISTOR	47Ω 1/10W J	
R3236	NRSA63J-332X	MG RESISTOR	3.3kΩ 1/16W J		R6719	QRE141J-103Y	C RESISTOR	10kΩ 1/4W J	
R3237	NRSA63J-332X	MG RESISTOR	3.3kΩ 1/16W J		R6720	NRSA02J-562X	MG RESISTOR	5.6kΩ 1/10W J	
R3239	NRSA63J-103X	MG RESISTOR	10kΩ 1/16W J		R6721	NRSA02J-562X	MG RESISTOR	5.6kΩ 1/10W J	
R3240	NRSA63J-103X	MG RESISTOR	10kΩ 1/16W J		R7202	NRSA63J-221X	MG RESISTOR	220Ω 1/16W J	
R3242	NRSA63J-472X	MG RESISTOR	4.7kΩ 1/16W J		R7203	NRSA63J-472X	MG RESISTOR	4.7kΩ 1/16W J	
R3248	NRSA63J-0R0X	MG RESISTOR	0Ω 1/16W J		R7204	QRE121J-100Y	C RESISTOR	10Ω 1/2W J	
R3249	NRSA63J-0R0X	MG RESISTOR	0Ω 1/16W J		R7301	NRSA63J-472X	MG RESISTOR	4.7kΩ 1/16W J	
R3251	NRSA63J-103X	MG RESISTOR	10kΩ 1/16W J		R7302	NRSA63J-472X	MG RESISTOR	4.7kΩ 1/16W J	
R3252	NRSA63J-0R0X	MG RESISTOR	0Ω 1/16W J		R7303	NRSA63J-392X	MG RESISTOR	3.9kΩ 1/16W J	
R3256	NRSA63J-103X	MG RESISTOR	10kΩ 1/16W J		R7304	NRSA63J-223X	MG RESISTOR	22kΩ 1/16W J	
R3257	NRSA63J-103X	MG RESISTOR	10kΩ 1/16W J		R7305	NRSA63J-331X	MG RESISTOR	330Ω 1/16W J	
R3258	NRSA63J-103X	MG RESISTOR	10kΩ 1/16W J		R7309	NRSA63J-104X	MG RESISTOR	100kΩ 1/16W J	
R3260	NRSA63J-103X	MG RESISTOR	10kΩ 1/16W J		R7311	QRE141J-153Y	C RESISTOR	15kΩ 1/4W J	
R4001	NRSA63J-0R0X	MG RESISTOR	0Ω 1/16W J		R7312	NRSA63J-103X	MG RESISTOR	10kΩ 1/16W J	
R4003	NRSA63J-0R0X	MG RESISTOR	0Ω 1/16W J		R7314	NRSA63J-103X	MG RESISTOR	10kΩ 1/16W J	
R4004	NRSA63J-0R0X	MG RESISTOR	0Ω 1/16W J		R7315	NRSA63J-472X	MG RESISTOR	4.7kΩ 1/16W J	
R4006	NRSA63J-0R0X	MG RESISTOR	0Ω 1/16W J		R7318	NRSA63D-750X	MG RESISTOR	75Ω 1/16W D	
R4007	NRSA63J-0R0X	MG RESISTOR	0Ω 1/16W J		R7319	NRSA63D-750X	MG RESISTOR	75Ω 1/16W D	
R4009	NRSA63J-0R0X	MG RESISTOR	0Ω 1/16W J		R7320	NRSA63D-750X	MG RESISTOR	75Ω 1/16W D	
R4010	NRSA63J-332X	MG RESISTOR	3.3kΩ 1/16W J		R7335	NRSA63J-101X	MG RESISTOR	100Ω 1/16W J	
R4011	NRSA63J-0R0X	MG RESISTOR	0Ω 1/16W J		R7336	NRSA63J-101X	MG RESISTOR	100Ω 1/16W J	
R4012	NRSA63J-0R0X	MG RESISTOR	0Ω 1/16W J		R7337	NRSA63J-101X	MG RESISTOR	100Ω 1/16W J	
R4017	NRSA63J-102X	MG RESISTOR	1kΩ 1/16W J		R7338	NRSA63J-101X	MG RESISTOR	100Ω 1/16W J	
R4018	NRSA63J-272X	MG RESISTOR	2.7kΩ 1/16W J		R7339	QRE141J-101Y	C RESISTOR	100Ω 1/4W J	
R4021	NRSA63J-271X	MG RESISTOR	270Ω 1/16W J		R7340	NRSA63J-750X	MG RESISTOR	75Ω 1/16W J	
R4026	NRSA63J-102X	MG RESISTOR	1kΩ 1/16W J		R7341	NRSA63J-102X	MG RESISTOR	1kΩ 1/16W J	
R4027	NRSA63J-562X	MG RESISTOR	5.6kΩ 1/16W J		R7342	NRSA63J-102X	MG RESISTOR	1kΩ 1/16W J	
R4028	NRSA63J-562X	MG RESISTOR	5.6kΩ 1/16W J		R7343	NRSA63J-750X	MG RESISTOR	75Ω 1/16W J	
R4029	NRSA63J-222X	MG RESISTOR	2.2kΩ 1/16W J		R7344	NRSA63D-750X	MG RESISTOR	75Ω 1/16W D	
R4044	NRSA63J-471X	MG RESISTOR	470Ω 1/16W J		R7345	NRSA63D-750X	MG RESISTOR	75Ω 1/16W D	
R4045	NRSA63J-821X	MG RESISTOR	820Ω 1/16W J		R7346	NRSA63D-680X	MG RESISTOR	68Ω 1/16W D	
R4046	NRSA63J-332X	MG RESISTOR	3.3kΩ 1/16W J		R7347	NRSA63D-750X	MG RESISTOR	75Ω 1/16W D	
R4047	NRSA63J-103X	MG RESISTOR	10kΩ 1/16W J		R7349	QRE121J-331Y	C RESISTOR	330Ω 1/2W J	
R4048	NRSA63J-0R0X	MG RESISTOR	0Ω 1/16W J		R7350	NRSA63J-562X	MG RESISTOR	5.6kΩ 1/16W J	
R4051	NRSA63J-0R0X	MG RESISTOR	0Ω 1/16W J		R7351	NRSA63J-562X	MG RESISTOR	5.6kΩ 1/16W J	
R4104	NRSA63J-221X	MG RESISTOR	220Ω 1/16W J		R7352	NRSA63J-332X	MG RESISTOR	3.3kΩ 1/16W J	
R4105	NRSA63J-105X	MG RESISTOR	1MΩ 1/16W J		R7353	NRSA63J-101X	MG RESISTOR	100Ω 1/16W J	
R4201	NRSA63J-103X	MG RESISTOR	10kΩ 1/16W J		R7354	NRSA63J-101X	MG RESISTOR	100Ω 1/16W J	
R4203	NRSA63J-103X	MG RESISTOR	10kΩ 1/16W J		R7355	NRSA63J-101X	MG RESISTOR	100Ω 1/16W J	
R4204	NRSA63J-0R0X	MG RESISTOR	0Ω 1/16W J		R7356	NRSA63J-101X	MG RESISTOR	100Ω 1/16W J	
R4205	NRSA63J-0R0X	MG RESISTOR	0Ω 1/16W J		R7357	NRSA63J-750X	MG RESISTOR	75Ω 1/16W J	
R4207	NRSA63J-0R0X	MG RESISTOR	0Ω 1/16W J		R7358	NRSA63J-750X	MG RESISTOR	75Ω 1/16W J	
R4208	NRSA63J-0R0X	MG RESISTOR	0Ω 1/16W J		R7359	NRSA63J-750X	MG RESISTOR	75Ω 1/16W J	
R4209	NRSA63J-103X	MG RESISTOR	10kΩ 1/16W J		R7360	NRSA63J-750X	MG RESISTOR	75Ω 1/16W J	
R4210	NRSA63J-272X	MG RESISTOR	2.7kΩ 1/16W J		R7361	NRSA63J-750X	MG RESISTOR	75Ω 1/16W J	
R4211	NRSA63J-562X	MG RESISTOR	5.6kΩ 1/16W J		R7367	NRSA63J-122X	MG RESISTOR	1.2kΩ 1/16W J	
R4301	NRSA63J-561X	MG RESISTOR	560Ω 1/16W J	M10SEF	R7368	NRSA63J-102X	MG RESISTOR	1kΩ 1/16W J	
R4302	NRSA63J-0R0X	MG RESISTOR	0Ω 1/16W J	M10SEF	R7378	QRE141J-103Y	C RESISTOR	10kΩ 1/4W J	
R4304	NRSA63J-223X	MG RESISTOR	22kΩ 1/16W J	M10SEF	R8001	NRSA63J-513X	MG RESISTOR	51kΩ 1/16W J	
R4305	NRSA63J-562X	MG RESISTOR	5.6kΩ 1/16W J	M10SEF	R8002	NRSA63J-513X	MG RESISTOR	51kΩ 1/16W J	
R4306	NRSA63J-122X	MG RESISTOR	1.2kΩ 1/16W J	M10SEF	R8007	NRSA63J-473X	MG RESISTOR	47kΩ 1/16W J	
R4307	NRSA63J-103X	MG RESISTOR	10kΩ 1/16W J	M10SEF	R8008	NRSA63J-473X	MG RESISTOR	47kΩ 1/16W J	
R4308	NRSA63J-223X	MG RESISTOR	22kΩ 1/16W J	M10SEF	R8013	NRSA63J-473X	MG RESISTOR	47kΩ 1/16W J	
R4309	NRSA63J-222X	MG RESISTOR	2.2kΩ 1/16W J	M10SEF	R8014	NRSA63J-473X	MG RESISTOR	47kΩ 1/16W J	
R4310	NRSA63J-822X	MG RESISTOR	8.2kΩ 1/16W J	M10SEF	R8015	NRSA63J-473X	MG RESISTOR	47kΩ 1/16W J	
R4311	NRSA63J-123X	MG RESISTOR	12kΩ 1/16W J	M10SEF	R8016	NRSA63J-473X	MG RESISTOR	47kΩ 1/16W J	
R4312	NRSA63J-0R0X	MG RESISTOR	0Ω 1/16W J	M10SEF	R8017	NRSA63J-203X	MG RESISTOR	20kΩ 1/16W J	
R4317	NRSA63J-223X	MG RESISTOR	22kΩ 1/16W J	M10SEF	R8019	NRSA63D-473X	MG RESISTOR	47kΩ 1/16W D	
R4318	NRSA63J-103X	MG RESISTOR	10kΩ 1/16W J	M10SEF	R8020	NRSA63D-473X	MG RESISTOR	47kΩ 1/16W D	
R4319	NRSA63J-123X	MG RESISTOR	12kΩ 1/16W J	M10SEF	R8021	NRSA63D-473X	MG RESISTOR	47kΩ 1/16W D	
R4320	NRSA63J-0R0X	MG RESISTOR	0Ω 1/16W J	M10SEF	R8022	NRSA63D-473X	MG RESISTOR	47kΩ 1/16W D	
R6020	NRSA02J-102X	MG RESISTOR	1kΩ 1/10W J		R8023	NRSA63D-473X	MG RESISTOR	47kΩ 1/16W D	

△ Symbol No.	Part No.	Part Name	Description	Local	△ Symbol No.	Part No.	Part Name	Description	Local
R8024	NRSA63D-473X	MG RESISTOR	47kΩ 1/16W D		L4006	QQL29BJ-100Z	P COIL	0.40Ω 10uH J	
R8026	NRSA63J-203X	MG RESISTOR	20kΩ 1/16W J		L4007	QQL071J-8R2Y	COIL	1.30Ω 8.2uH J	
R8031	NRSA63D-203X	MG RESISTOR	20kΩ 1/16W D		L4201	QQL29BJ-100Z	P COIL	0.40Ω 10uH J	
R8032	NRSA63D-203X	MG RESISTOR	20kΩ 1/16W D		L4301	QQL29BJ-100Z	P COIL	0.40Ω 10uH J	M10SEF
R8033	NRSA63J-470X	MG RESISTOR	47Ω 1/16W J		L6001	QQL29BK-1R0Z	P COIL	0.14Ω 1uH K	
R8034	NRSA63J-470X	MG RESISTOR	47Ω 1/16W J		L6002	QQL29BK-1R0Z	P COIL	0.14Ω 1uH K	
R8035	NRSA63J-470X	MG RESISTOR	47Ω 1/16W J		L6005	QQL29BK-1R0Z	P COIL	0.14Ω 1uH K	
R8036	NRSA63J-470X	MG RESISTOR	47Ω 1/16W J		L6701	QQL29BJ-3R3Z	P COIL	0.24Ω 3.3uH J	
R8039	NRSA63J-472X	MG RESISTOR	47kΩ 1/16W J		L7201	QQL29BJ-100Z	P COIL	0.40Ω 10uH J	
R8040	NRSA63J-563X	MG RESISTOR	56kΩ 1/16W J		L7304	QQL29BJ-100Z	P COIL	0.40Ω 10uH J	
R8041	NRSA63J-823X	MG RESISTOR	82kΩ 1/16W J		L7325	QQL071J-6R8Y	COIL	1.20Ω 6.8uH J	
R8042	NRSA63J-393X	MG RESISTOR	39kΩ 1/16W J		L8501	QQL071J-1R0Y	COIL	0.46Ω 1uH J	
R8043	NRSA63J-823X	MG RESISTOR	82kΩ 1/16W J						
R8044	NRSA63J-182X	MG RESISTOR	1.8kΩ 1/16W J		B3962	NRSA63J-0R0X	MG RESISTOR	0Ω 1/16W J	
R8045	NRSA63J-332X	MG RESISTOR	3.3kΩ 1/16W J		B3966	NRSA63J-0R0X	MG RESISTOR	0Ω 1/16W J	
R8046	NRSA63J-103X	MG RESISTOR	10kΩ 1/16W J		B3971	NRSA63J-0R0X	MG RESISTOR	0Ω 1/16W J	
R8047	NRSA63J-153X	MG RESISTOR	15kΩ 1/16W J		B3976	NRSA63J-0R0X	MG RESISTOR	0Ω 1/16W J	
R8201	NRSA63J-470X	MG RESISTOR	47Ω 1/16W J		B4001	NRSA63J-0R0X	MG RESISTOR	0Ω 1/16W J	
R8202	NRSA63J-470X	MG RESISTOR	47Ω 1/16W J		B4002	NRSA63J-0R0X	MG RESISTOR	0Ω 1/16W J	
R8203	NRSA63J-470X	MG RESISTOR	47Ω 1/16W J		B7301	NRSA63J-0R0X	MG RESISTOR	0Ω 1/16W J	
R8204	NRSA63J-470X	MG RESISTOR	47Ω 1/16W J		B7304	NRSA63J-0R0X	MG RESISTOR	0Ω 1/16W J	
R8206	NRSA63J-104X	MG RESISTOR	100kΩ 1/16W J		B7305	NRSA63J-0R0X	MG RESISTOR	0Ω 1/16W J	
R8211	NRSA63D-432X	MG RESISTOR	4.3kΩ 1/16W D		B7306	NRSA63J-0R0X	MG RESISTOR	0Ω 1/16W J	
R8212	NRSA63D-432X	MG RESISTOR	4.3kΩ 1/16W D		CN3001	QGF1207C1-18	CONNECTOR	FFC/FPC (1-18)	
R8213	NRSA63D-472X	MG RESISTOR	4.7kΩ 1/16W D		CN3002	QGF1207C1-09	CONNECTOR	FFC/FPC (1-9)	
R8214	NRSA63D-472X	MG RESISTOR	4.7kΩ 1/16W D		CN3901	QGF1207C1-06	CONNECTOR	FFC/FPC (1-6)	
R8215	NRSA63D-121X	MG RESISTOR	120Ω 1/16W D		CN4001	QGF1207C1-11	CONNECTOR	FFC/FPC (1-11)	
R8216	NRSA63D-121X	MG RESISTOR	120Ω 1/16W D		CN4101	QGB2027M5-28S	CONNECTOR	B-B (1-28)	
R8217	NRSA63D-432X	MG RESISTOR	4.3kΩ 1/16W D		CN4102	QGB2027M5-28S	CONNECTOR	B-B (1-28)	
R8218	NRSA63D-432X	MG RESISTOR	4.3kΩ 1/16W D		CN5101	QGF1207C1-19	CONNECTOR	FFC/FPC (1-19)	
R8219	NRSA63D-472X	MG RESISTOR	4.7kΩ 1/16W D		CN5102	QGB1231M1-09	CONNECTOR	B-B (1-9)	
R8220	NRSA63D-472X	MG RESISTOR	4.7kΩ 1/16W D		CN7301	QGF1207C1-07	CONNECTOR	FFC/FPC (1-7)	
R8221	NRSA63D-121X	MG RESISTOR	120Ω 1/16W D		GN2	QNZ0136-001Z	EARTH PLATE		
R8222	NRSA63D-121X	MG RESISTOR	120Ω 1/16W D		GN3	QNZ0136-001Z	EARTH PLATE		
R8223	NRSA63J-221X	MG RESISTOR	220Ω 1/16W J		GN5	QNZ0136-001Z	EARTH PLATE		
R8224	NRSA63J-221X	MG RESISTOR	220Ω 1/16W J		J4109	QNS0089-001	3.5 JACK	COMPU/SAT	
R8233	NRSA63J-473X	MG RESISTOR	47kΩ 1/16W J		J7301	QNZ0516-001	RGB CONNECTOR		
R8234	NRSA63J-473X	MG RESISTOR	47kΩ 1/16W J		J7302	QNZ0516-001	RGB CONNECTOR		
R8241	NRSA63J-273X	MG RESISTOR	27kΩ 1/16W J		J7309	QNN0635-002	PIN JACK	VIDEO OUT	
R8242	NRSA63J-471X	MG RESISTOR	470Ω 1/16W J		J8501	GP1FP513TKBF	OPT TRANSMITTER	OPT/COAX OUT	
R8244	NRSA63J-682X	MG RESISTOR	6.8kΩ 1/16W J		K6701	NQR0200-003X	FERRITE BEADS		
R8249	NRSA63J-273X	MG RESISTOR	27kΩ 1/16W J		K6702	NQR0200-003X	FERRITE BEADS		
R8250	NRSA63J-471X	MG RESISTOR	470Ω 1/16W J		K6703	NRSA02J-0R0X	MG RESISTOR	0Ω 1/10W J	
R8252	NRSA63J-682X	MG RESISTOR	6.8kΩ 1/16W J		K6704	NRSA02J-0R0X	MG RESISTOR	0Ω 1/10W J	
R8301	NRSA63J-101X	MG RESISTOR	100Ω 1/16W J		K6705	NQR0200-003X	FERRITE BEADS		
R8302	NRSA63J-101X	MG RESISTOR	100Ω 1/16W J		K6706	NQR0200-003X	FERRITE BEADS		
R8303	NRSA63J-471X	MG RESISTOR	470Ω 1/16W J		K6707	NQR0129-003X	FERRITE BESDA		M10SEF
R8304	NRSA63J-273X	MG RESISTOR	27kΩ 1/16W J		K6708	NQR0200-003X	FERRITE BEADS		
R8305	NRSA63J-682X	MG RESISTOR	6.8kΩ 1/16W J		K8001	NQR0339-001X	FERRITE BEADS		
R8306	NRSA63J-471X	MG RESISTOR	470Ω 1/16W J		K8002	NQR0339-001X	FERRITE BEADS		
R8307	NRSA63J-273X	MG RESISTOR	27kΩ 1/16W J		K8201	NQR0339-001X	FERRITE BEADS		
R8308	NRSA63J-682X	MG RESISTOR	6.8kΩ 1/16W J		K8401	NQR0339-001X	FERRITE BEADS		
R8309	NRSA63J-471X	MG RESISTOR	470Ω 1/16W J		K8501	NQR0227-004X	FERRITE BEADS		
R8310	NRSA63J-273X	MG RESISTOR	27kΩ 1/16W J		ST1	PU59391	STYLE PIN		
R8311	NRSA63J-682X	MG RESISTOR	6.8kΩ 1/16W J		TU6001	QAU0299-001	TUNER		M10SEF
R8312	NRSA63J-471X	MG RESISTOR	470Ω 1/16W J		TU6001	QAU0323-001	TUNER	M10BE,M10SE,M10SEK,M10SER	
R8313	NRSA63J-273X	MG RESISTOR	27kΩ 1/16W J		W1	NRSA63J-0R0X	MG RESISTOR	0Ω 1/16W J	
R8314	NRSA63J-682X	MG RESISTOR	6.8kΩ 1/16W J		W2	NRSA63J-0R0X	MG RESISTOR	0Ω 1/16W J	
R8315	NRSA63J-470X	MG RESISTOR	47Ω 1/16W J		W3	NRSA63J-0R0X	MG RESISTOR	0Ω 1/16W J	
R8316	NRSA63J-470X	MG RESISTOR	47Ω 1/16W J		W4	NRSA63J-0R0X	MG RESISTOR	0Ω 1/16W J	
R8321	NRSA63J-221X	MG RESISTOR	220Ω 1/16W J		W5	NRSA63J-0R0X	MG RESISTOR	0Ω 1/16W J	
R8322	NRSA63J-221X	MG RESISTOR	220Ω 1/16W J		W6	NRSA63J-0R0X	MG RESISTOR	0Ω 1/16W J	
R8323	NRSA63J-103X	MG RESISTOR	10kΩ 1/16W J		W7	NRSA63J-0R0X	MG RESISTOR	0Ω 1/16W J	
R8324	NRSA63J-332X	MG RESISTOR	3.3kΩ 1/16W J		W8	NRSA63J-0R0X	MG RESISTOR	0Ω 1/16W J	
R8325	NRSA63J-103X	MG RESISTOR	10kΩ 1/16W J		W9	NRSA63J-0R0X	MG RESISTOR	0Ω 1/16W J	
R8326	NRSA63J-332X	MG RESISTOR	3.3kΩ 1/16W J		W10	NRSA63J-0R0X	MG RESISTOR	0Ω 1/16W J	
R8501	NRSA63J-4R7X	MG RESISTOR	4.7Ω 1/16W J		W11	NRSA63J-0R0X	MG RESISTOR	0Ω 1/16W J	
R8502	NRSA63J-561X	MG RESISTOR	560Ω 1/16W J		W12	NRSA63J-0R0X	MG RESISTOR	0Ω 1/16W J	
R8503	NRSA63J-561X	MG RESISTOR	560Ω 1/16W J		W13	NRSA63J-0R0X	MG RESISTOR	0Ω 1/16W J	
R8504	NRSA63J-820X	MG RESISTOR	82Ω 1/16W J		W14	NRSA63J-0R0X	MG RESISTOR	0Ω 1/16W J	
R8505	NRSA63J-100X	MG RESISTOR	10Ω 1/16W J		W15	NRSA63J-0R0X	MG RESISTOR	0Ω 1/16W J	
R8506	NRSA63J-100X	MG RESISTOR	10Ω 1/16W J		W16	NRSA63J-0R0X	MG RESISTOR	0Ω 1/16W J	
R8507	NRSA63J-561X	MG RESISTOR	560Ω 1/16W J		W17	NRSA63J-0R0X	MG RESISTOR	0Ω 1/16W J	
					W18	NRSA63J-0R0X	MG RESISTOR	0Ω 1/16W J	
L3001	QQL231J-R22Y	COIL	0.40Ω 0.22uH J		W19	NRSA63J-0R0X	MG RESISTOR	0Ω 1/16W J	
L4001	QQL29BJ-100Z	P COIL	0.40Ω 10uH J		W20	NRSA63J-0R0X	MG RESISTOR	0Ω 1/16W J	
L4002	QQL29BJ-100Z	P COIL	0.40Ω 10uH J		W21	NRSA63J-0R0X	MG RESISTOR	0Ω 1/16W J	
L4004	QQL071J-330Y	COIL	3.80Ω 33uH J		W22	NRSA63J-0R0X	MG RESISTOR	0Ω 1/16W J	

△ Symbol No.	Part No.	Part Name	Description	Local
W23	NRSA63J-0R0X	MG RESISTOR	0Ω 1/16W J	
W24	NRSA63J-0R0X	MG RESISTOR	0Ω 1/16W J	
W25	NRSA63J-0R0X	MG RESISTOR	0Ω 1/16W J	
W26	NRSA63J-0R0X	MG RESISTOR	0Ω 1/16W J	
W27	NRSA63J-0R0X	MG RESISTOR	0Ω 1/16W J	
W28	NRSA63J-0R0X	MG RESISTOR	0Ω 1/16W J	
W29	NRSA63J-0R0X	MG RESISTOR	0Ω 1/16W J	
W30	NRSA63J-0R0X	MG RESISTOR	0Ω 1/16W J	
W31	NRSA63J-0R0X	MG RESISTOR	0Ω 1/16W J	
W32	NRSA63J-0R0X	MG RESISTOR	0Ω 1/16W J	
W33	NRSA63J-0R0X	MG RESISTOR	0Ω 1/16W J	
W34	NRSA63J-0R0X	MG RESISTOR	0Ω 1/16W J	
W35	NRSA63J-0R0X	MG RESISTOR	0Ω 1/16W J	
W36	NRSA63J-0R0X	MG RESISTOR	0Ω 1/16W J	
W37	NRSA63J-0R0X	MG RESISTOR	0Ω 1/16W J	
W38	NRSA63J-0R0X	MG RESISTOR	0Ω 1/16W J	
W39	NRSA63J-0R0X	MG RESISTOR	0Ω 1/16W J	
W40	NRSA63J-0R0X	MG RESISTOR	0Ω 1/16W J	
W41	NRSA63J-0R0X	MG RESISTOR	0Ω 1/16W J	
W42	NRSA63J-0R0X	MG RESISTOR	0Ω 1/16W J	
W43	NRSA63J-0R0X	MG RESISTOR	0Ω 1/16W J	
W44	NRSA63J-0R0X	MG RESISTOR	0Ω 1/16W J	
W45	NRSA63J-0R0X	MG RESISTOR	0Ω 1/16W J	
W46	NRSA63J-0R0X	MG RESISTOR	0Ω 1/16W J	
W47	NRSA63J-0R0X	MG RESISTOR	0Ω 1/16W J	
W48	NRSA63J-0R0X	MG RESISTOR	0Ω 1/16W J	
W49	NRSA63J-0R0X	MG RESISTOR	0Ω 1/16W J	
W50	NRSA63J-0R0X	MG RESISTOR	0Ω 1/16W J	
W51	NRSA63J-0R0X	MG RESISTOR	0Ω 1/16W J	
W52	NRSA63J-0R0X	MG RESISTOR	0Ω 1/16W J	
W53	NRSA63J-0R0X	MG RESISTOR	0Ω 1/16W J	
W54	NRSA63J-0R0X	MG RESISTOR	0Ω 1/16W J	
W55	NRSA63J-0R0X	MG RESISTOR	0Ω 1/16W J	
W56	NRSA63J-0R0X	MG RESISTOR	0Ω 1/16W J	
W57	NRSA63J-0R0X	MG RESISTOR	0Ω 1/16W J	
X3001	QAX0444-001	CRYSTAL	32.768kHz	M10SEF,M10SEK
X3001	QAX0445-001	CRYSTAL	32.768kHz	M10BE,M10SE,M10SER
X3002	QAX0527-001	CRYSTAL	10.000000MHz	
X4001	QAX0576-001	CRYSTAL	4.433619MHz	
X6701	QAX0773-001Z	CRYSTAL	18.432000MHz	

Operation board

Block No. [2][7]

△ Symbol No.	Part No.	Part Name	Description	Local
PW1	LPA10239-01A3	OPERATION BOARD ASSY		
Q7103	DTA114ESA-T	DIGI TRANSISTOR		
D7112	1SS133-T2	DIODE		
D7112	or 1SS270A-T2	SI DIODE		
D7113	1SS133-T2	DIODE		
D7113	or 1SS270A-T2	SI DIODE		
D7114	1SS133-T2	DIODE		
D7114	or 1SS270A-T2	SI DIODE		
D7115	1SS133-T2	DIODE		
D7115	or 1SS270A-T2	SI DIODE		
D7123	SLR-343MC-T	LED		
C7150	NRSA63J-0R0X	MG RESISTOR	0Ω 1/16W J	
C7151	NCB31HK-102X	C CAPACITOR	1000pF 50V K	
C7153	NCB31HK-102X	C CAPACITOR	1000pF 50V K	
R7106	QRE141J-331Y	C RESISTOR	330Ω 1/4W J	
R7151	NRSA63J-750X	MG RESISTOR	75Ω 1/16W J	
R7152	NRSA63J-750X	MG RESISTOR	75Ω 1/16W J	
R7153	NRSA63J-750X	MG RESISTOR	75Ω 1/16W J	
R7154	NRSA63J-101X	MG RESISTOR	100Ω 1/16W J	
R7155	NRSA63J-101X	MG RESISTOR	100Ω 1/16W J	
R7156	NRSA63J-0R0X	MG RESISTOR	0Ω 1/16W J	
B7108	NRSA63J-0R0X	MG RESISTOR	0Ω 1/16W J	
CN7101	QGF1208F1-09	CONNECTOR	FFC/FPC (1-9)	

△ Symbol No.	Part No.	Part Name	Description	Local
CN7102	QGF1208F1-11	CONNECTOR	FFC/FPC (1-11)	
J7001	QND0084-001	S JACK	S-VIDEO IN	
J7002	QNN0364-002	PIN JACK	A/V IN	
S7113	QSW0381-001Z	TACT SWITCH	REC	
S7114	QSW0381-001Z	TACT SWITCH	REC MODE	
S7115	QSW0381-001Z	TACT SWITCH	PAUSE	
S7132	QSW0381-001Z	TACT SWITCH	OPEN/CLOSE	
S7133	QSW0381-001Z	TACT SWITCH	SAT	
S7134	QSW0381-001Z	TACT SWITCH	STOP	
S7135	QSW0381-001Z	TACT SWITCH	PLAY	
W7151	NRSA63J-0R0X	MG RESISTOR	0Ω 1/16W J	
W7152	NRSA63J-0R0X	MG RESISTOR	0Ω 1/16W J	
W7153	NRSA63J-0R0X	MG RESISTOR	0Ω 1/16W J	
W7154	NRSA63J-0R0X	MG RESISTOR	0Ω 1/16W J	

Swich display board

Block No. [2][8]

△ Symbol No.	Part No.	Part Name	Description	Local
PW1	LPA10239-01A2	SWICH DISPLAY BOARD ASSY		
IC7001	UPD16315GB-3BS	IC		
IC7001	or PT6315	IC		
IC7002	GP1UM281XK	IR DETECT UNIT	38kHz	
IC7002	or PNA4652M00XB	IR DETECT UNIT		
Q7001	2SC1740S/QRS/-T	TRANSISTOR		
Q7001	or 2SC3199/YG/-T	TRANSISTOR		
Q7001	or KTC3199/YG/-T	TRANSISTOR		
D7001	1SS133-T2	DIODE		
D7001	or 1SS270A-T2	SI DIODE		
D7021	RD9.1ES/B2/-T2	Z DIODE		
D7021	or MTZJ9.1B-T2	Z DIODE		
D7042	1SS133-T2	DIODE		
D7042	or 1SS270A-T2	SI DIODE		
D7043	SDPB3DC0	LED		
C7001	QCFB1HZ-104Y	C CAPACITOR	0.1uF 50V Z	
C7002	QCFB1HZ-104Y	C CAPACITOR	0.1uF 50V Z	
C7003	QEKJ1HM-106Z	E CAPACITOR	10uF 50V M	
C7006	QEKJ0JM-476Z	E CAPACITOR	47uF 6.3V M	
C7007	QCFB1HZ-104Y	C CAPACITOR	0.1uF 50V Z	
C7008	QEKJ0JM-227Z	E CAPACITOR	220uF 6.3V M	
C7010	QCFB1HZ-473Y	C CAPACITOR	0.047uF 50V Z	
C7011	QCFB1HZ-473Y	C CAPACITOR	0.047uF 50V Z	
C7056	QEKJ1EM-106Z	E CAPACITOR	10uF 25V M	
R7001	NRSA63J-103X	MG RESISTOR	10kΩ 1/16W J	
R7002	NRSA63J-103X	MG RESISTOR	10kΩ 1/16W J	
R7003	NRSA63J-823X	MG RESISTOR	82kΩ 1/16W J	
R7005	NRSA63J-472X	MG RESISTOR	4.7kΩ 1/16W J	
R7006	NRSA63J-472X	MG RESISTOR	4.7kΩ 1/16W J	
R7007	NRSA63J-102X	MG RESISTOR	1kΩ 1/16W J	
R7009	QRE141J-103Y	C RESISTOR	10kΩ 1/4W J	
R7010	NRSA63J-103X	MG RESISTOR	10kΩ 1/16W J	
R7013	NRSA63J-333X	MG RESISTOR	33kΩ 1/16W J	
R7014	NRSA63J-333X	MG RESISTOR	33kΩ 1/16W J	
R7015	NRSA63J-102X	MG RESISTOR	1kΩ 1/16W J	
R7044	QRE141J-392Y	C RESISTOR	3.9kΩ 1/4W J	
R7045	QRE141J-270Y	C RESISTOR	27Ω 1/4W J	
R7047	QRE141J-182Y	C RESISTOR	1.8kΩ 1/4W J	
CN7001	QGF1207C1-18	CONNECTOR	FFC/FPC (1-18)	
D17001	QLF0121-001	FL TUBE		
HD1	PQ34949-1-1	FDP HOLDER(L)		
HD2	LP21255-001A	FL HOLDER(R)		
S7001	QSW0381-001Z	TACT SWITCH	OPERATION	

S/RCA Out board

Block No. [2][9]

△ Symbol No.	Part No.	Part Name	Description	Local
PW1	LPA10239-01A5	S/RCA OUT BOARD ASSY		
C7326	NCB31EK-103X	C CAPACITOR	0.01uF 25V K	
C7365	NCB31HK-102X	C CAPACITOR	1000pF 50V K	
C7367	NCB31HK-102X	C CAPACITOR	1000pF 50V K	
R7327	NRSA63D-750X	MG RESISTOR	75Ω 1/16W D	
R7328	NRSA63D-750X	MG RESISTOR	75Ω 1/16W D	
R7365	NRSA63J-101X	MG RESISTOR	100Ω 1/16W J	
R7366	NRSA63J-101X	MG RESISTOR	100Ω 1/16W J	
CN7312	QGF1208F1-07	CONNECTOR	FFC/FPC (1-7)	
J7307	QNN0631-001	PIN JACK	AUDIO OUT	
J7308	QND0009-001	S JACK	S-VIDEO OUT	

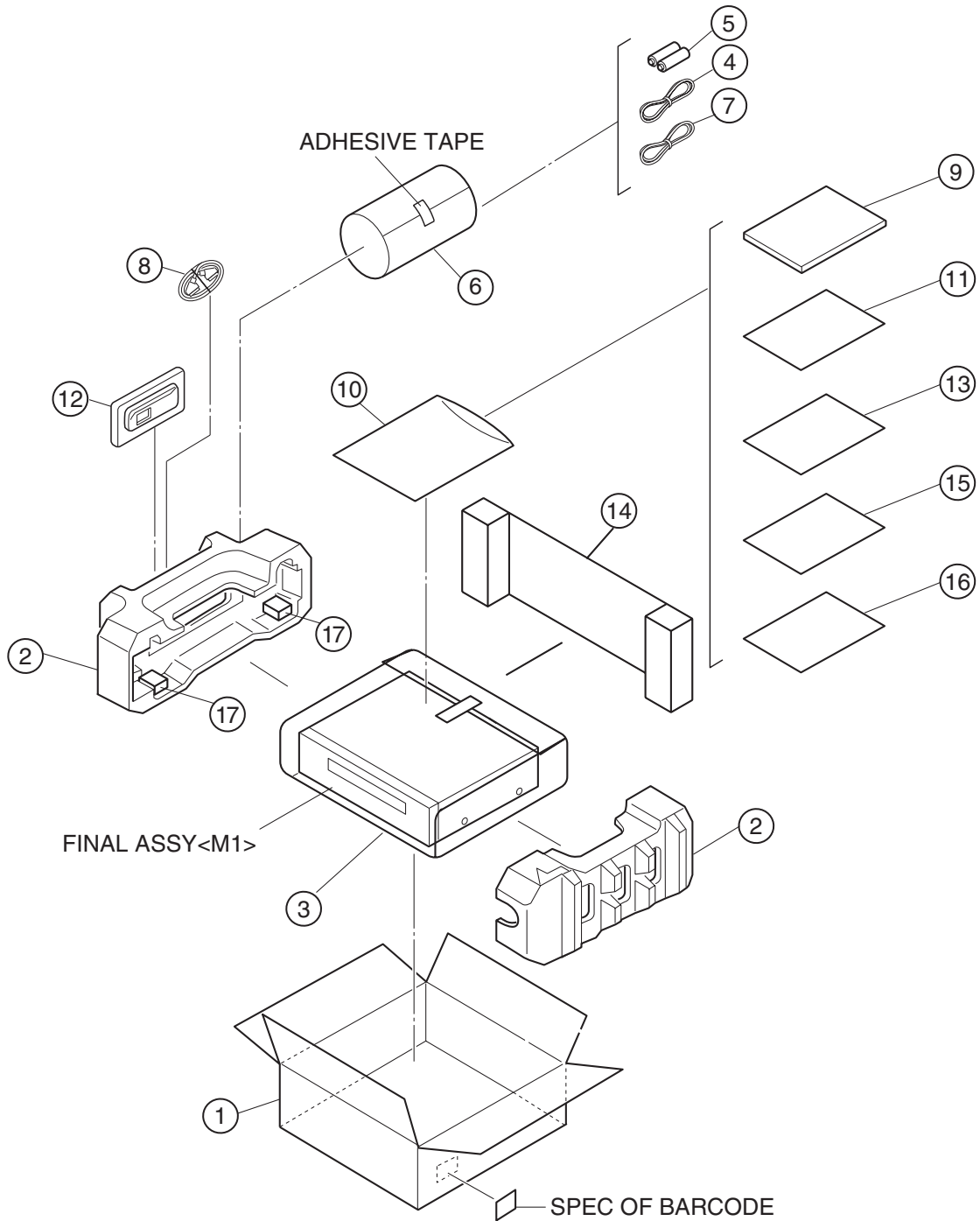
Jack board

Block No. [3][6]

△ Symbol No.	Part No.	Part Name	Description	Local
PW1	LPA10239-01A4	JACK BOARD ASSY		
CN4104	QGB2027M1-10S	CONNECTOR	B-B (1-10)	
J4112	QNZ0575-001	D CONNECTOR		
OT1	QZW0021-001	PC SUPPORT		

Packing materials and accessories parts list

Block No.M2MM



Packing and accessories

Block No. [M][2][M][M]

△ Symbol No.	Part No.	Part Name	Description	Local
1	LP31384-019A	PACKING CASE		M10BE
1	LP31384-003A	PACKING CASE		M10SE
1	LP31384-004A	PACKING CASE		M10SEF
1	LP31384-005A	PACKING CASE		M10SEK
1	LP31384-022A	PACKING CASE		M10SER
2	LP31387-001B	CUSHION ASSY		
3	PQM30021-93	POLY BAG		
4	QAM0525-002	RF CABLE		
5	-----	BATTERY	R6 TYPE(x2)	
6	QPC02202230P	POLY BAG	22cm x 22cm	
7	QAL0517-005	LED CABLE ASSY		
8	QAM0502-002	PERI CABLE		
△ 9	LPT0900-001A	INST.BOOK	(ENGLISH)	M10BE
△ 9	LPT0900-002A	INST.BOOK	(GERMANY)	M10BE
△ 9	LPT0900-003A	INST.BOOK	(FRENCH)	M10BE
△ 9	LPT0900-004A	INST.BOOK	(DUCH)	M10BE
△ 9	LPT0900-005A	INST.BOOK	(SPANISH)	M10BE
△ 9	LPT0900-006A	INST.BOOK	(ITALIAN)	M10BE
△ 9	LPT0900-007A	INST.BOOK	(DANISH)	M10BE
△ 9	LPT0900-008A	INST.BOOK	(SWEDISH)	M10BE
△ 9	LPT0900-001B	INST.BOOK	(ENGLISH)	M10SE
△ 9	LPT0900-002B	INST.BOOK	(GERMANY)	M10SE
△ 9	LPT0900-003B	INST.BOOK	(FRENCH)	M10SE
△ 9	LPT0900-004B	INST.BOOK	(DUCH)	M10SE
△ 9	LPT0900-005B	INST.BOOK	(SPANISH)	M10SE
△ 9	LPT0900-006B	INST.BOOK	(ITALIAN)	M10SE
△ 9	LPT0900-007B	INST.BOOK	(DANISH)	M10SE
△ 9	LPT0900-008B	INST.BOOK	(SWEDISH)	M10SE
△ 9	LPT0902-001A	INST.BOOK	(FRENCH)	M10SEF
△ 9	LPT0901-001B	INST.BOOK	(ENGLISH)	M10SEK
△ 9	LPT0954-001A	INST.BOOK	(RUSSIAN)	M10SER
10	QPC02503530P	POLY BAG	25cm x 35cm	
11	BT-54013-7	WARRANTY CARD		M10BE,M10SE
11	BT-54012-4	WARRANTY CARD		M10SER
12	RM-SDR008E	REMOCON		
13	BT-54008-6	GUARANTY CARD		M10SEF,M10SEK
14	LP31399-001A	SHEET ASSY		M10SEK
15	VNA3000-204	REGISTER CARD		M10SEK
16	LPT0900-009A	SHEET(FAN)		M10SER
17	LP41169-001A	SPACER	(x2)	